

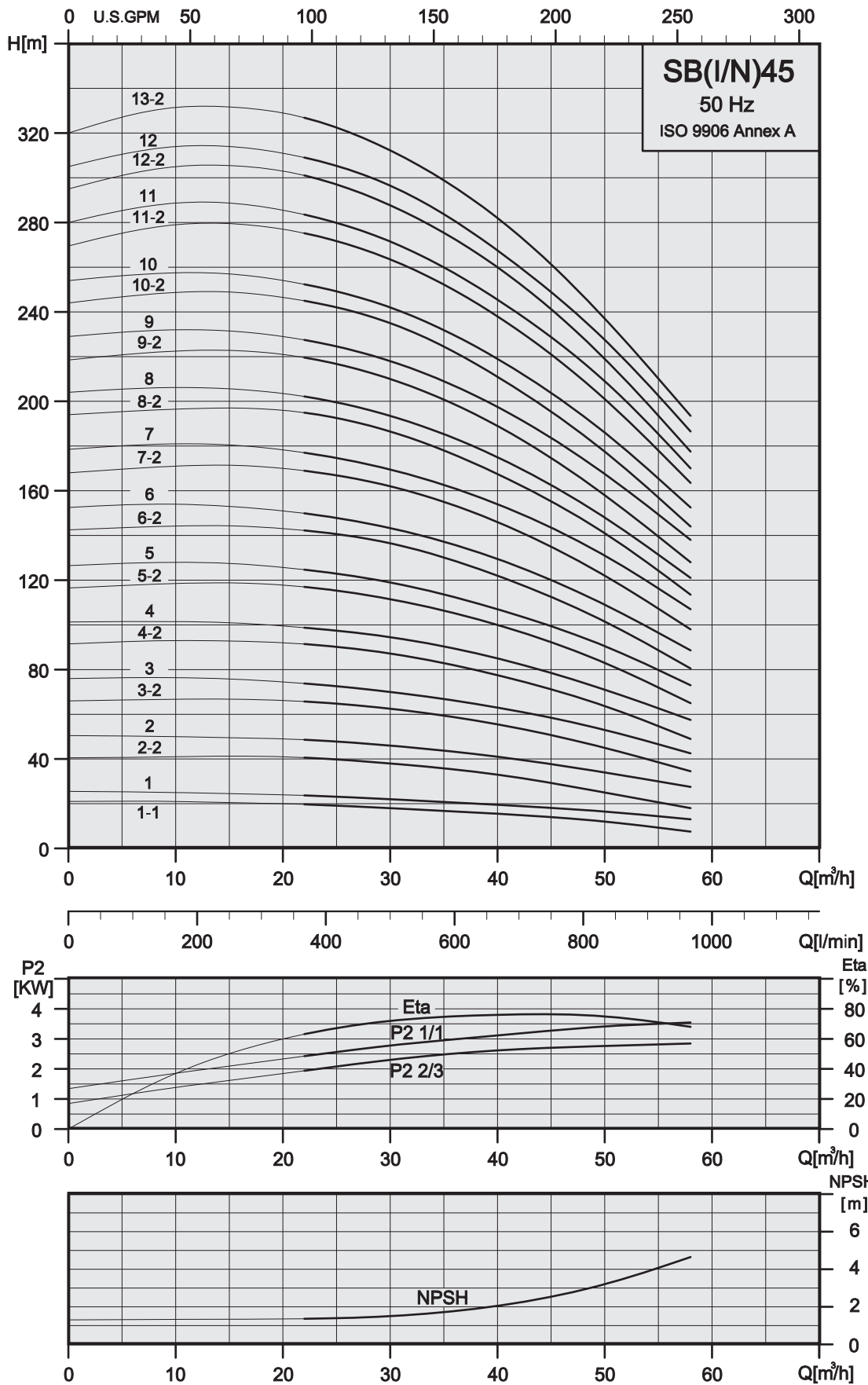
# Technical data

Vertical Multistage Centrifugal In-line Pumps



STAIRS PUMPS

## SB, SBI, SBN 45



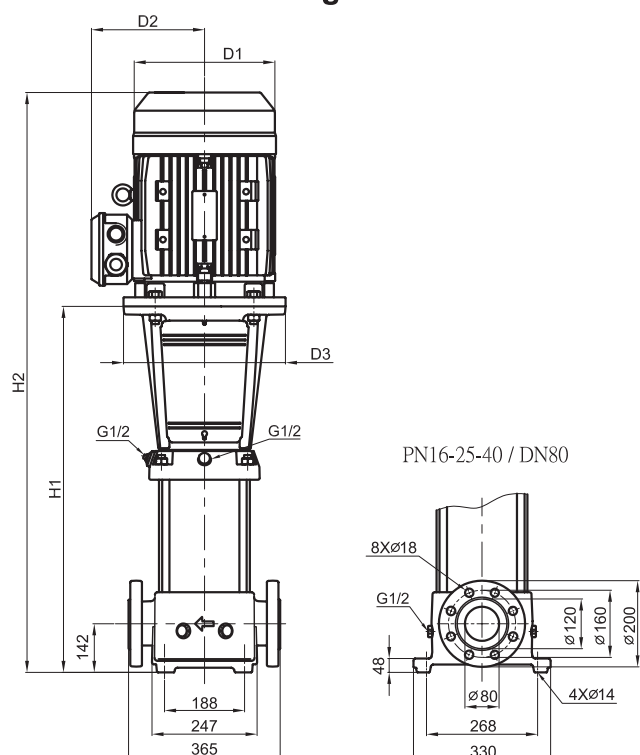
# Technical data

Vertical Multistage Centrifugal In-line Pumps



STAIRS PUMPS

## Dimensions and weights-SB45



Pump type	Motor P <sub>2</sub> [kW]	SB					Net weight[kg]	
		Dimension[mm]			D1	D2		D3
		DIN flange		DIN flange				
H1	H2	D1	D2	D3	DIN flange			
SB 45-1-1	3.0	561	881	196	148	280	87.8	
SB 45-1	4.0	561	896	219	162	280	94.8	
SB 45-2-2	5.5	641	1001	234	199	300	112.3	
SB 45-2	7.5	641	1041	234	199	300	121.4	
SB 45-3-2	11.0	831	1276	268	215	350	158.6	
SB 45-3	11.0	831	1276	268	215	350	158.6	
SB 45-4-2	15.0	911	1400	268	215	350	173.3	
SB 45-4	15.0	911	1400	268	215	350	173.3	
SB 45-5-2	18.5	991	1526	317	242	350	211.9	
SB 45-5	18.5	991	1526	317	242	350	211.9	
SB 45-6-2	22.0	1071	1650	317	242	350	226.4	
SB 45-6	22.0	1071	1650	317	242	350	226.4	
SB 45-7-2	30.0	1151	1774	317	290	400	315.3	
SB 45-7	30.0	1151	1774	317	290	400	315.3	
SB 45-8-2	30.0	1231	1854	317	290	400	318.9	
SB 45-8	30.0	1231	1854	317	290	400	319.0	
SB 45-9-2	30.0	1311	1934	317	290	400	322.6	
SB 45-9	37.0	1311	2036	398	365	400	391.6	
SB 45-10-2	37.0	1391	2116	398	365	400	395.2	
SB 45-10	37.0	1391	2116	398	365	400	395.2	
SB 45-11-2	45.0	1471	2196	398	365	450	426.8	
SB 45-11	45.0	1471	2196	398	365	450	426.8	
SB 45-12-2	45.0	1551	2276	398	365	450	430.4	
SB 45-12	45.0	1551	2276	398	365	450	430.4	
SB 45-13-2	45.0	1631	2356	398	365	450	434.0	

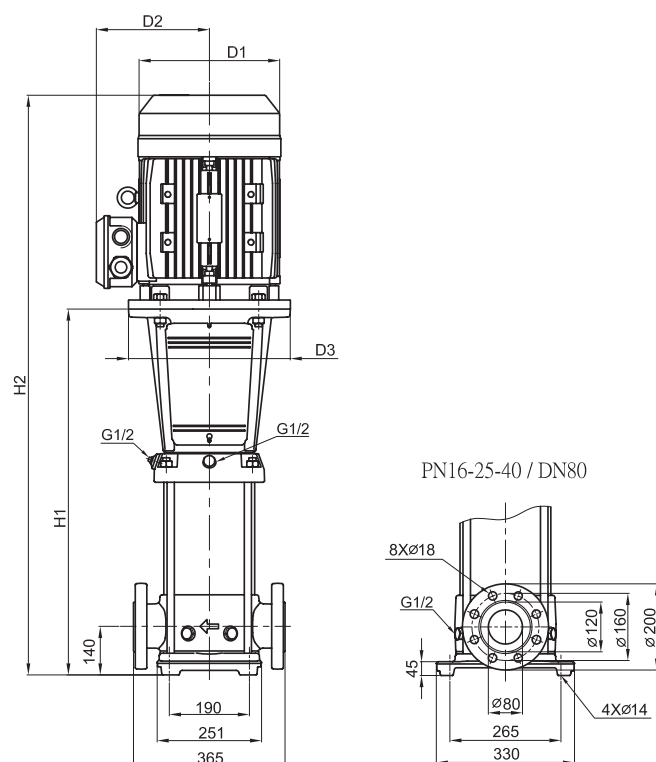
# Technical data

Vertical Multistage Centrifugal In-line Pumps



STAIRS PUMPS

## Dimensions and weights-SBI,SBN45



Pump type	Motor	SBI,SBN					Net weight[kg]
		Dimension[mm]			D1	D2	
	P <sub>2</sub> [kW]	DIN flange		DIN flange			
SBI, SBN 45-1-1	3.0	H1	H2	D1	D2	D3	DIN flange
SBI, SBN 45-1	4.0	559	879	196	148	280	79.3
SBI, SBN 45-2-2	5.5	639	999	234	199	300	103.8
SBI, SBN 45-2	7.5	639	1039	234	199	300	112.8
SBI, SBN 45-3-2	11.0	829	1274	268	215	350	150.0
SBI, SBN 45-3	11.0	829	1274	268	215	350	150.1
SBI, SBN 45-4-2	15.0	909	1398	268	215	350	164.7
SBI, SBN 45-4	15.0	909	1398	268	215	350	164.7
SBI, SBN 45-5-2	18.5	989	1524	317	242	350	203.4
SBI, SBN 45-5	18.5	989	1524	317	242	350	203.4
SBI, SBN 45-6-2	22.0	1069	1648	317	242	350	217.8
SBI, SBN 45-6	22.0	1069	1648	317	242	350	217.8
SBI, SBN 45-7-2	30.0	1149	1772	317	290	400	306.7
SBI, SBN 45-7	30.0	1149	1772	317	290	400	306.7
SBI, SBN 45-8-2	30.0	1229	1852	317	290	400	310.4
SBI, SBN 45-8	30.0	1229	1852	317	290	400	310.4
SBI, SBN 45-9-2	30.0	1309	1932	317	290	400	383.1
SBI, SBN 45-9	37.0	1309	2034	398	365	400	383.1
SBI, SBN 45-10-2	37.0	1389	2114	398	365	400	386.7
SBI, SBN 45-10	37.0	1389	2114	398	365	400	386.7
SBI, SBN 45-11-2	45.0	1469	2194	398	365	450	418.3
SBI, SBN 45-11	45.0	1469	2194	398	365	450	418.3
SBI, SBN 45-12-2	45.0	1549	2274	398	365	450	421.9
SBI, SBN 45-12	45.0	1549	2274	398	365	450	421.9
SBI, SBN 45-13-2	45.0	1629	2354	398	365	450	425.5