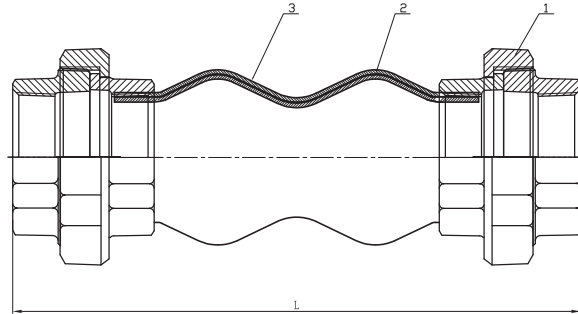


Flexible Rubber Joint Twin Sphere  
Union-Screw End Connection(TSU),  
PN10/16



TSU

- Thread: ISO 7-1
- Working Pressure: PN10/16
- Temperature Range: -10°C -115°C
- Vacuum Capacity: 500MM/HG



MATERIAL SPECIFICATION

Part No.	Part	Standard Specification
1	Union	Malleable Iron
2	Reinforcing Fabric	Nylon Fabric
3	Rubber (Inner & Outer)	EPDM

Note: For special material request other than standard specification, please indicate clearly on the inquiry or order list.

DN		Neutral Length(mm)	Axial(mm)		Transverse Movement(mm)	Angular Deflection Deg.
Inch	mm		Elongation	Compression		
1/2"	15	200	6	22	22	20
3/4"	20	200	6	22	22	20
1"	25	200	6	22	22	20
1 1/4"	32	200	6	22	22	20
1 1/2"	40	200	6	22	22	20
2"	50	200	6	22	22	20
2 1/2"	65	240	6	22	22	20
3"	80	240	6	22	22	20