

**ULMAX<sup>®</sup>**

**50Hz**



**BOMBAS CENTRÍFUGAS  
MULTIETAPAS VERTICALES**

**ULMAX<sup>®</sup>**

## PRESENTATION

**ULMAX** is a brand specialized in equipment and accessories for the areas where fluid transportation is required.

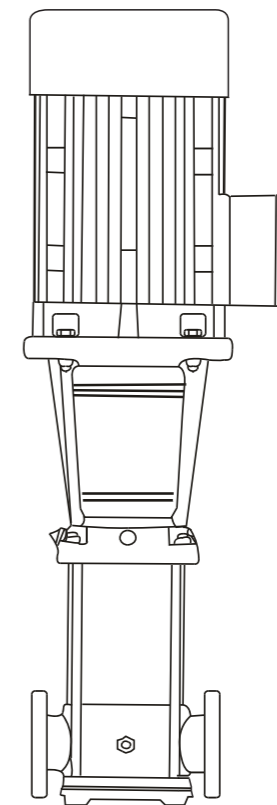
**ULMAX** presents its line of vertical multistage centrifugal pumps, which have a variety of applications such as: drinking water services, industrial processes, irrigation, etc.

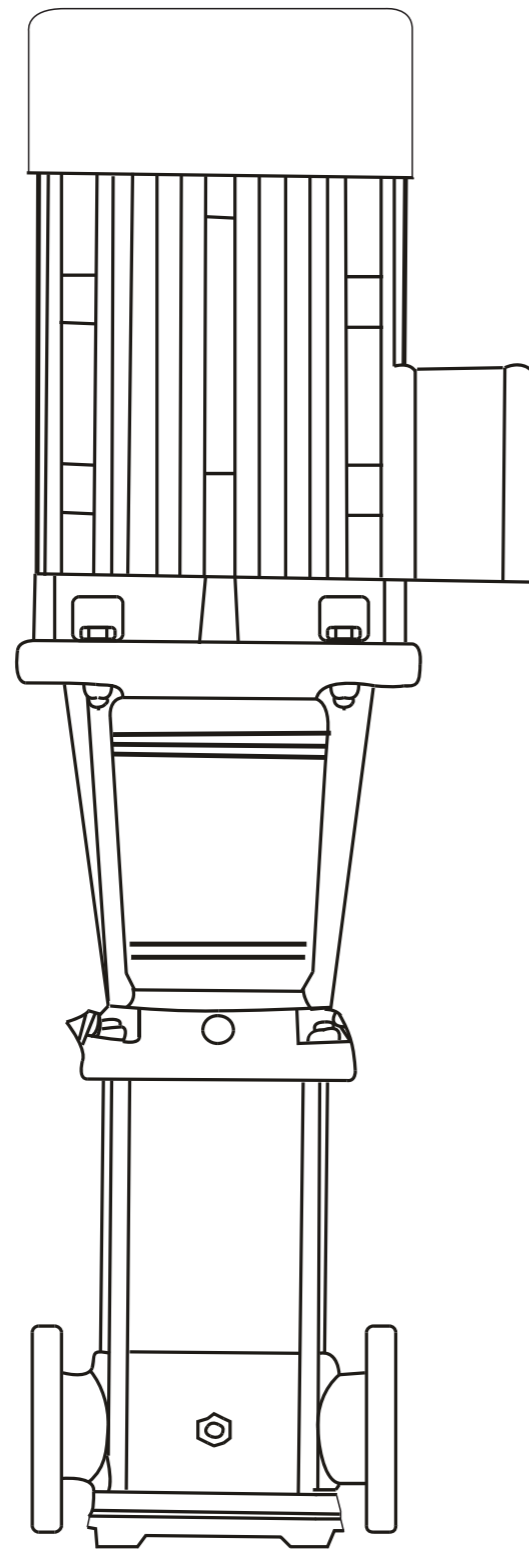
To ensure the high quality of the products, advanced production equipment with vertical integration of production processes, high technology and precise process techniques are used.

The pumping equipment is manufactured under high inspection standards.

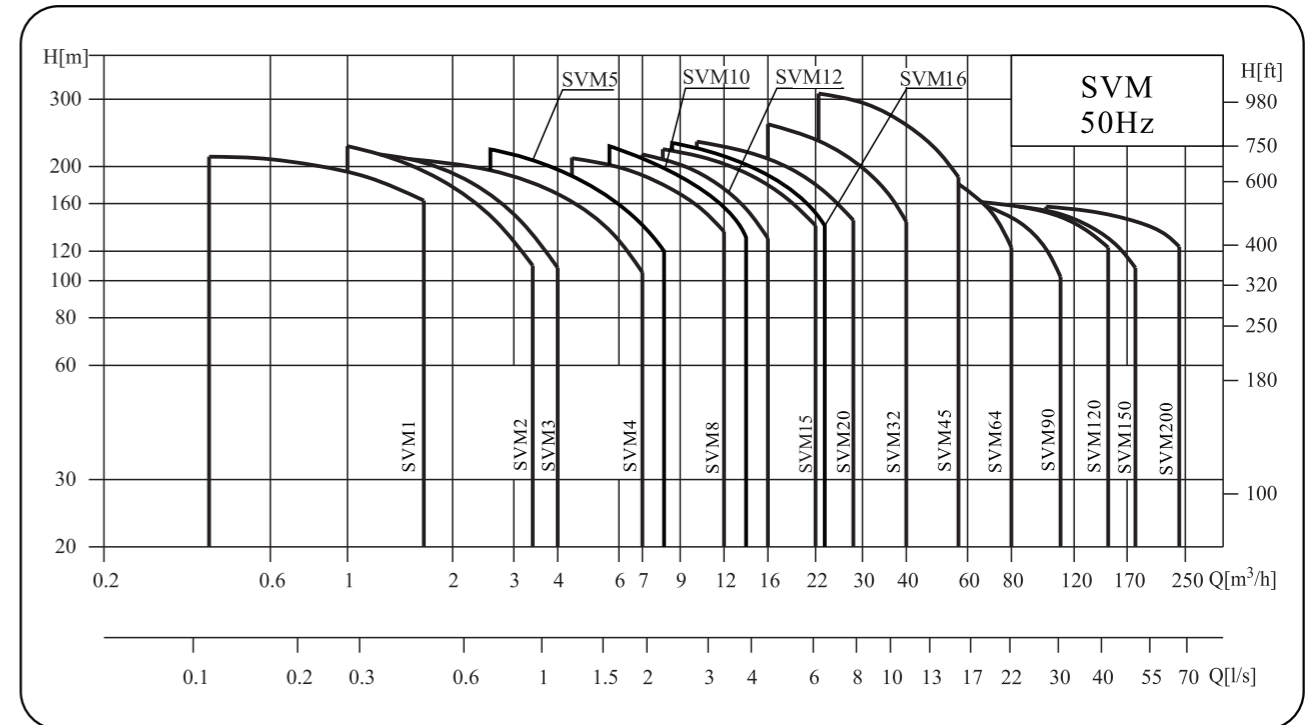
Our mission is to provide high quality pumping equipment for our valued customers.

## CONTENTS





Performance Range



Specification

Key Parameter	SVM1	SVM2	SVM3	SVM4	SVM5	SVM8	SVM10	SVM12	SVM15	SVM16	SVM20
Rated Flow[m³/h]	1	2	3	4	5	8	10	12	15	16	20
Rated Flow[l/s]	0.28	0.56	0.83	1.1	1.39	2.2	2.78	3.3	4.17	4.4	5.6
Flow Range[m³/h]	0.4~1.8	1~3.5	1.2~4	1.5~7	2.5~8.5	5~12	5~13	7~16	8~23	8~22	10~28
Flow Range[l/s]	0.11~0.5	0.28~0.97	0.33~1.1	0.42~1.9	0.69~2.36	1.39~3.3	1.39~3.61	1.9~4.4	2.22~6.39	2.2~6.1	2.8~7.8
Max. Pressure[bar]	21	23	22	21	24	21	23	22	23	22	23
Motor Capacity[kW]	0.37~2.2	0.37~3	0.37~3	0.37~4	0.37~5.5	0.75~7.5	0.75~7.5	1.5~11	1.1~15	2.2~15	1.1~18.5
Temp. Range[°C]	-15~105										
Max. Efficiency[%]	44	46	54	58	63	62	70	63	73	66	69

Pipe Connection

	SVM1	SVM2	SVM3	SVM4	SVM5	SVM8	SVM10	SVM12	SVM15	SVM16	SVM20
DIN Flange	DN25	DN25	DN25	DN32	DN32	DN40	DN40	DN50	DN50	DN50	DN50
Pipe Thread	R1 1/4"	R1 1/4"	R1 1/4"	R1 1/4"	R1 1/4"	R1 2"	R1 2"	R1 2"	R1 2"	R1 2"	R1 2"
Joint Connector	DN32	DN32	DN32	DN32	DN32	DN50	DN50	DN50	DN50	DN50	DN50

Pipe Connection

	SVM1	SVM2	SVM3	SVM4	SVM5	SVM8	SVM10	SVM12	SVM15	SVM16	SVM20
DIN Flange	DN25	DN25	DN25	DN32	DN32	DN40	DN40	DN50	DN50	DN50	DN50

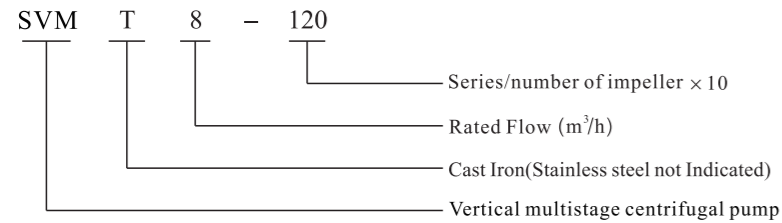
Key Parameter	SVM32	SVM45	SVM64	SVM90	SVM120	SVM150	SVM200
Rated Flow[m <sup>3</sup> /h]	32	45	64	90	120	150	200
Rated Flow[l/s]	8.9	12.5	17.8	25	33.3	41.7	55.6
Flow Range[m <sup>3</sup> /h]	16~40	25~55	30~80	50~110	60~150	80~180	100~240
Flow Range [l/s]	4.4~11	6.9~15.3	8~22	14~30	17~42	22~50	28~67
Max. Pressure[bar]	26	30	22	17	16	16	16
Motor Capacity[kW]	1.5~30	3~45	4~45	5.5~45	11~75	11~75	18.5~110
Temp. Range[°C]	-15~105						
Max. Efficiency[%]	74	75	76	77	74	73	79

Pipe Connection

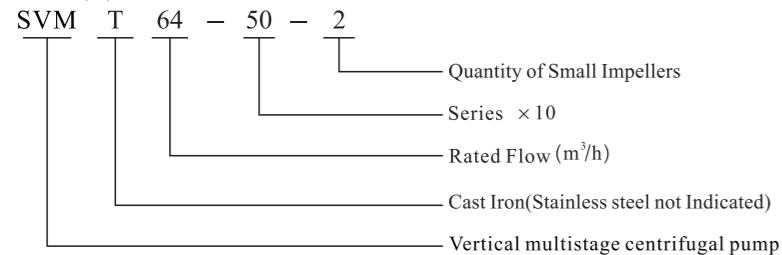
DIN Flange	DN65	DN80	DN100	DN100	DN125	DN125	DN150

Model Description

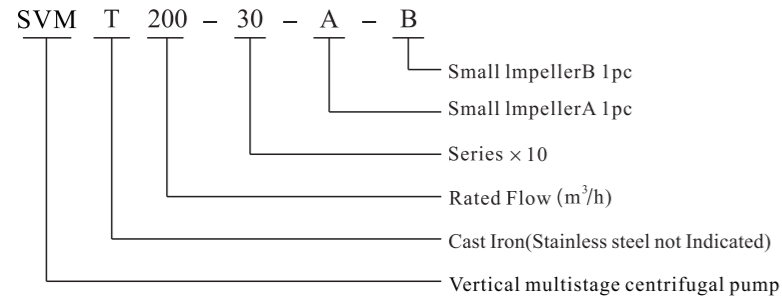
SVM(T)1/2/3/4/5/8/10/12/15/16/20



SVM(T)32/45/64/90/120/200



SVM(T)200



Typical Application

● SVM, SVMT pump is vertical multistage centrifugal pump, the pipeline structure can ensure that the pump can be directly installed in the pipeline system which pipe diameters are the same and the outlet and inlet at the same level. This design of structure makes the connection from pump to pipe more compact.

● SVM, SVMT pumps have different specifications and different series, to meet the requirement of flow rate and pressure.

● SVM(T) is a kind of multi-functional pump, can transfer not only water but also various industrial liquid medium, suitable for different temperature, flow rate and pressure range.

● SVM(T) suitable for non-corrosive liquids, SVM is suitable for mild corrosive liquid.

● Water supply: water filtering and conveying, water partition, net pressure boosting for high-rise buildings, hotels; industrial water pressure boosting.

● Industrial boosting: process water system, cleaning system, high-pressure washing system, fire-fighting system, car cleaning.

● Industrial liquid transportation: cooling and air conditioning system, boiler feed water system and temperature system, machine matching.

● Delivery: oil and alcohol, acid and alkali, ethylene glycol and coolant.

● Water treatment: Ultra Filtration, RO systems, distillation systems, separator, the swimming pool.

● Irrigation: Region irrigation, sprinkler irrigation, drip irrigation.

Motor

- Totally enclosed, air-cooled secondary standard motor
- Degree of protection: IP 55
- Insulation class: F
- Standard voltage: 50Hz: 1 × 220-230/240V  
3 × 200-220/346-380V  
3 × 220-240/380-415V  
3 × 220-255/380-440V
- Other voltage of the motor is available on request.
- Single phase motors from 0.37W-2.2 kW are available on request.

Single performance curve

- All measure value of curves are based on the motor in a constant speed of 2900 RPM and 2950 RPM.
- Curve tolerance meets ISO9906, appendix A.
- Test with 20°C pure water(not contain water), kinematic viscosity 1mm<sup>2</sup>/s.
- Pump using referring to the performance range of thick lines, to prevent the motor from too small flow to produce overheat and too big flow to produce overload.

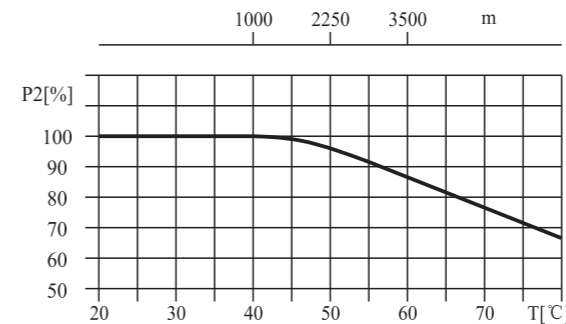
Instruction

● SVM, SVMT is non self-priming vertical multistage pump and with standard motor, motor shaft and pump shaft are connected directly by coupling, and the fit the shell and flow passage components on the between the frame and Inlet & outlet seat by pull rod and nuts. The inlet and outlet are in the same level line at the bottom of the pump.

● Pump can be configured intelligent protector according the need, in order to protect pump from dry run, lack of phase, overload and so on.

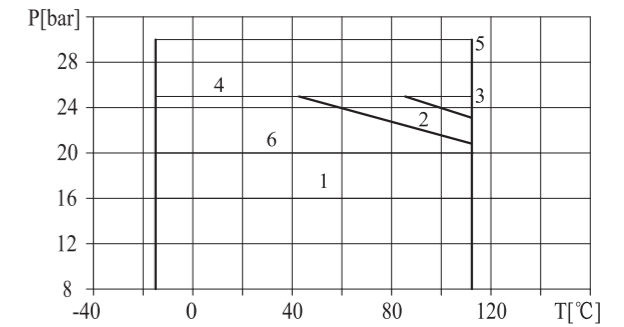
Altitude and Ambient temperature

● When pump works in the condition ambient temperature > 40°C or altitude > 1000m, the output of motor P2 will be lower, the power of motor should be bigger.



Max. Working pressure

● Below picture showing the limit of pressure and temperature, Pressure and temperature shall be in the range of showing.



Model	Curve No.	
SVM(T)1/2/3/4/5	2	
SVM(T)8/10/12/15/16/20	3	
SVM(T)32	32-10-1~32-70	1
	32-80-2~32-120	4
	32-130-2~32-160	5
SVM(T)45	45-10-1~45-60	1
	45-70-2~45-90	4
	45-100-2~45-130-2	5
SVM(T)64	64-10-1~64-50	1
	64-60-2~64-80-1	4
SVM(T)90	90-10-1~90-50-2	1
	90-50-90-60	4
SVM(T)120/150/200	6	

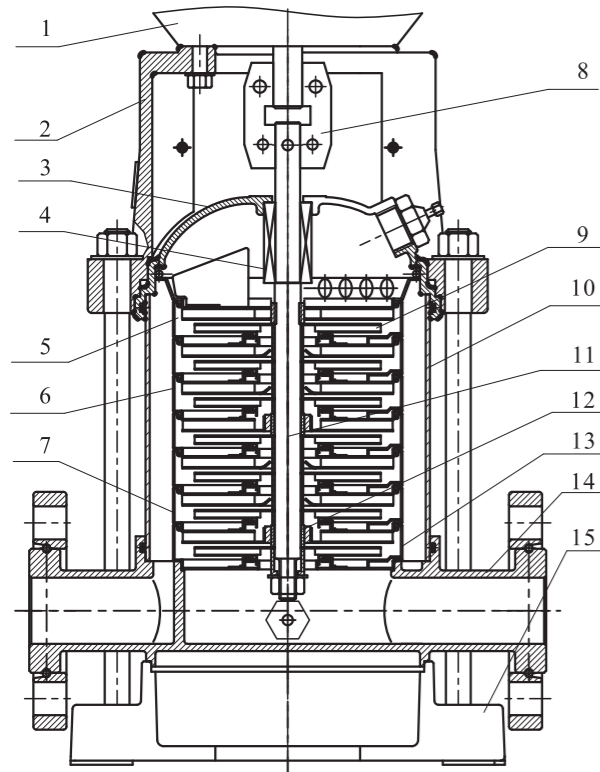
Note: the curve 4/5 need to customize

Working Condition

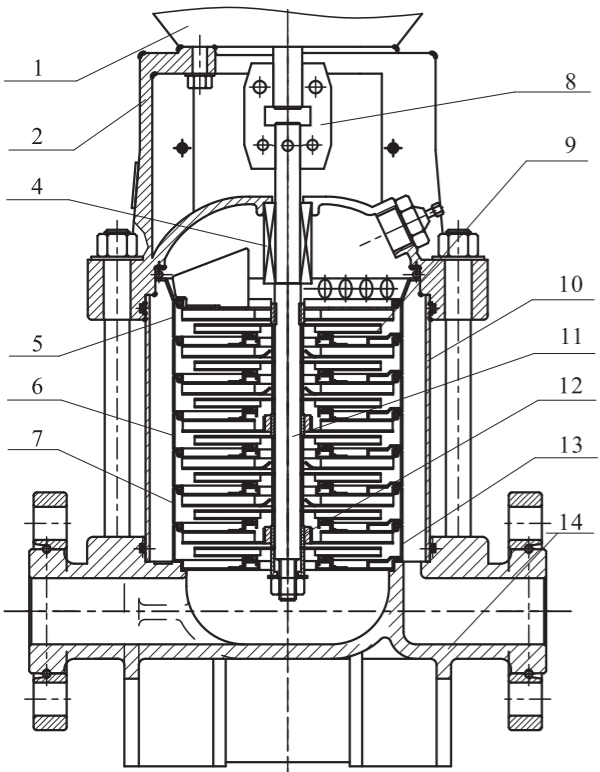
- Thin, clean, non-flammable and explosive and not containing solid particles or fibers liquid.
- Liquid Temperature: Normal temperature +15°C - +70°C  
Hot water type - 15°C - +105°C
- Environment Temperature: Max. 40°C
- Altitude: Max. 1000m

Structure chart:SVM(T)1/2/3/4/5

Material:SVM(T)1/2/3/4/5



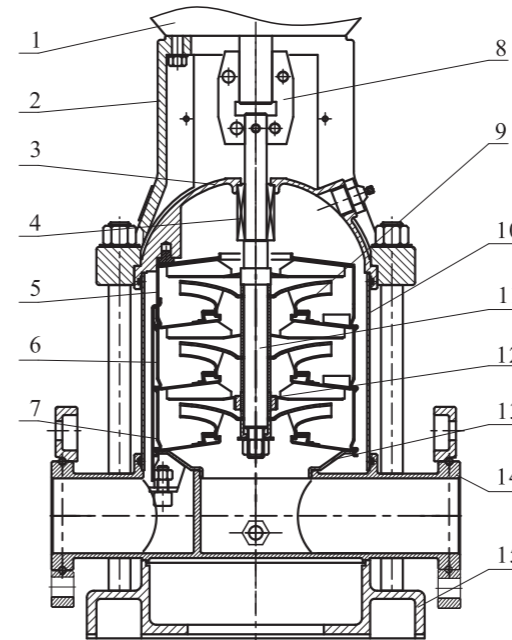
SVM



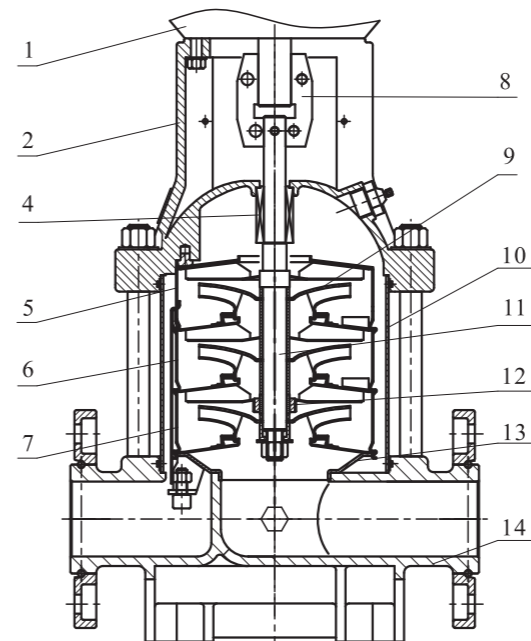
SVMT

No	Description	Material	AISI/ASTM
1	Motor	Assembling unit	
2	Support	Cast Iron/ Ductile iron	ASTM25B ASTM70-50-05
4	Mechanical seal	Assembling unit	
5	Outlet guide vane	Stainless Steel	AISI304
6	Guide vane	Stainless Steel	AISI304
7	Support guide vane	Stainless Steel	AISI304
8	Coupling	Ductile Iron	ASTM70-50-05
9	Impeller	Stainless Steel	AISI304
10	Shell	Stainless Steel	AISI304
11	Pump Shaft	Stainless Steel	AISI304 AISI316L
12	Bearing	Tungsten Carbide	
13	Inlet guide vane	Stainless Steel	AISI304
SVM			
3	Seal Seat	Stainless Steel	AISI304
14	Inlet & outlet seat	Stainless Steel	AISI304
15	Seat	Cast Iron	ASTM25B
SVMT			
14	Inlet & outlet seat	Cast Iron	ASTM25B

Structure chart:  
SVM(T)8/10/12 /15/16/20



SVM



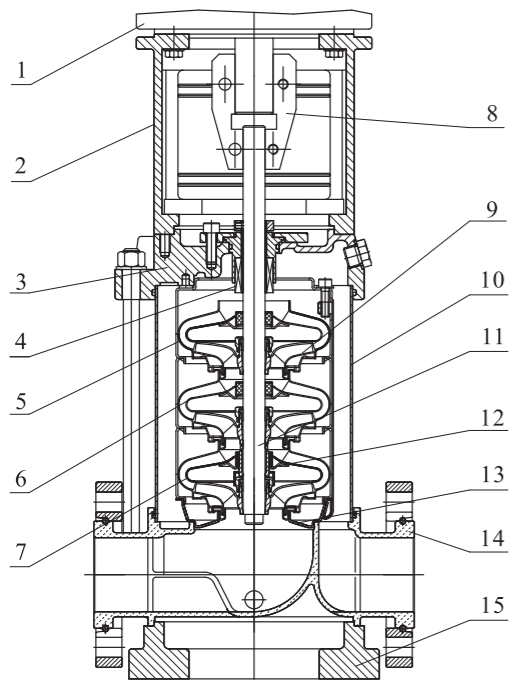
SVMT

Material:SVM(T)8/10/12/15/16/20

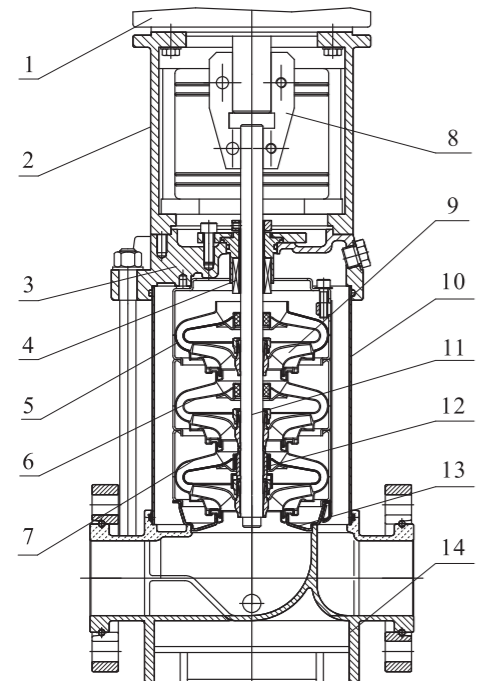
No	Description	Material	AISI/ASTM
1	Motor	Assembling unit	
2	Support	Cast Iron/ Ductile iron	ASTM25B ASTM70-50-05
4	Mechanical seal	Assembling unit	
5	Outlet guide vane	Stainless Steel	AISI304
6	Guide vane	Stainless Steel	AISI304
7	Support guide vane	Stainless Steel	AISI304
8	Coupling	Ductile iron	ASTM70-50-05
9	Impeller	Stainless Steel	AISI304
10	Shell	Stainless Steel	AISI304
11	Pump Shaft	Stainless Steel	AISI304 AISI316L
12	Bearing	Tungsten Carbide	
13	Inlet guide vane	Stainless Steel	AISI304
SVM			
3	Seal Seat	Stainless Steel	AISI304
14	Inlet & outlet seat	Stainless Steel	AISI304
15	Seat	Cast Iron	ASTM25B
SVMT			
14	Inlet & outlet seat	Cast Iron	ASTM25B

Structure chart:SVM(T)32/45/64/90

Material:SVM(T)32/45/64/90



SVM



SVMT

No	Description	Material	AISI/ASTM
1	Motor	Assembling unit	
2	Support	Cast Iron/ Ductile iron	ASTM25B
4	Mechanical seal	Assembling unit	
5	Outlet guide vane	Stainless Steel	AISI304
6	Guide vane	Stainless Steel	AISI304
7	Support guide vane	Stainless Steel	AISI304
8	Coupling	Ductile iron	ASTM70-50-05
9	Impeller	Stainless Steel	AISI304
10	Shell	Stainless Steel	AISI304
11	Pump Shaft	Stainless Steel	AISI304 AISI316L AISI431
12	Bearing	Tungsten Carbide	
13	Inlet guide vane	Stainless Steel	AISI304

SVM

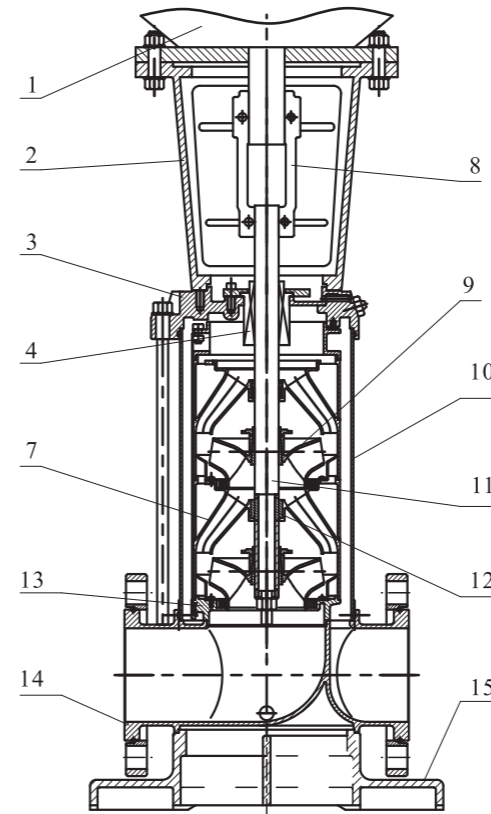
3	Seal Seat	Stainless Steel	AISI304
14	Inlet &outlet seat	Stainless Steel	AISI304
15	Seat	Cast Iron	ASTM25B

SVMT

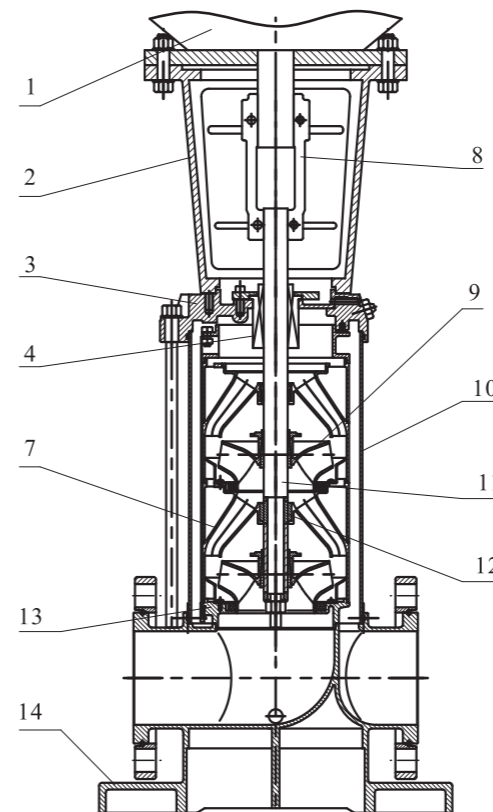
3	Seal Seat	Cast Iron/ Ductile iron	ASTM25B ASTM70-50-05
14	Inlet &outlet seat	Cast Iron/ Ductile iron	ASTM25B ASTM70-50-05

Structure chart:SVM(T)120/150/200

Material:SVM(T)120/150/200



SVM



SVMT

No	Description	Material	AISI/ASTM
1	Motor	Assembling unit	
2	Frame	Cast Iron/Ductile iron	ASTM25B ASTM70-50-05
4	Seal	Assembling unit	
7	Support guide vane	Stainless Steel	AISI304
8	Coupling	Ductile iron	ASTM70-50-05
9	Impeller	Stainless Steel	AISI304
10	Shell	Stainless Steel	AISI304
11	Pump Shaft	Stainless Steel	AISI304 AISI316L AISI431
12	Bearing	Tungsten Carbide	
13	Inlet guide vane	Stainless Steel	AISI304

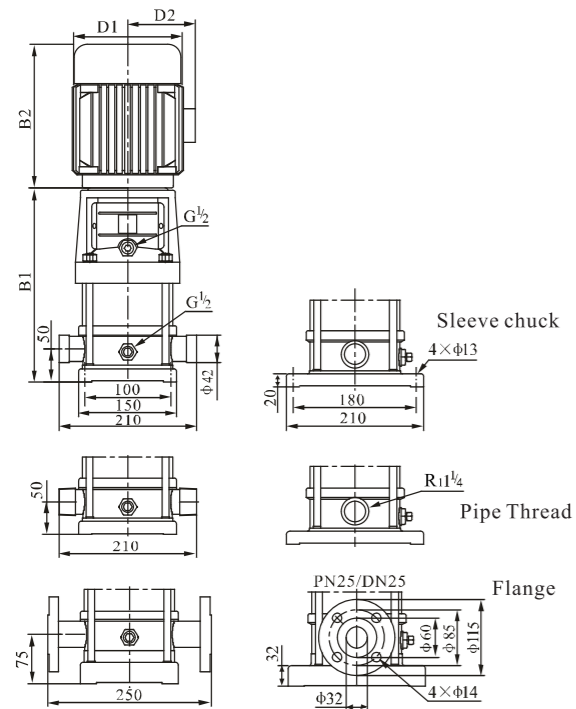
SVM

3	seal seat	Stainless Steel	AISI304
14	Inlet &outlet seat	Stainless Steel	AISI304
15	Seat	Ductile iron	ASTM70-50-05

SVMT

3	Seal Seat	Ductile iron	ASTM70-50-05
14	Inlet &outlet seat	Cast Iron/Ductile iron	ASTM25B ASTM70-50-05

Installation drawing



Size & Weight

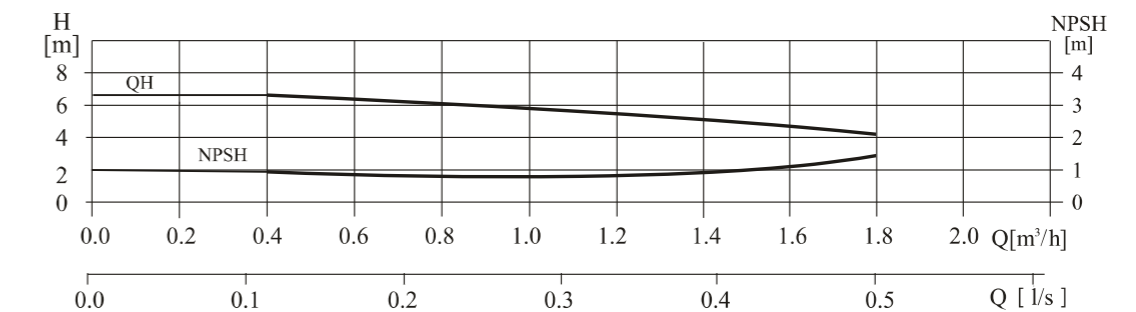
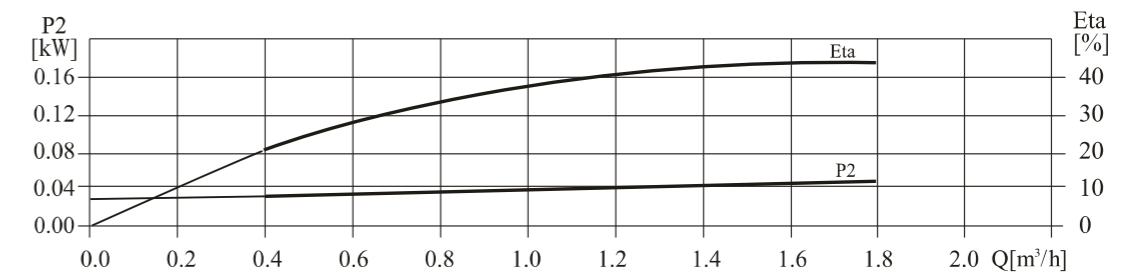
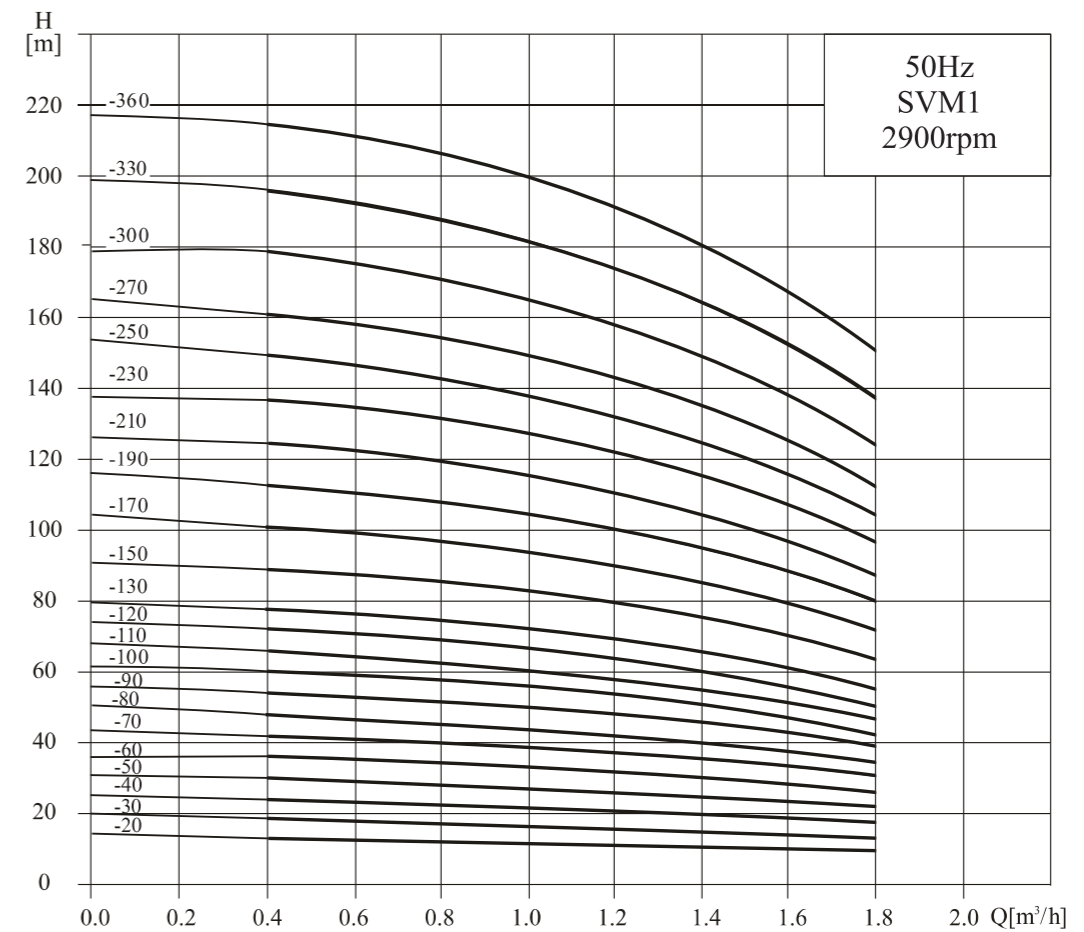
Model	Size (mm)					Weight (kg)
	B1	B2	B1+B2	D1	D2	
SVM1-20	258	225	483	148	117	20
SVM1-30	276	225	501	148	117	20
SVM1-40	294	225	519	148	117	21
SVM1-50	312	225	537	148	117	21
SVM1-60	330	225	555	148	117	22
SVM1-70	348	225	573	148	117	23
SVM1-80	366	225	591	148	117	24
SVM1-90	384	225	609	148	117	25
SVM1-100	402	225	627	148	117	26
SVM1-110	420	225	645	148	117	26
SVM1-120	448	245	693	170	142	29
SVM1-130	466	245	711	170	142	30
SVM1-150	502	245	747	170	142	31
SVM1-170	538	245	783	170	142	33
SVM1-190	574	245	819	170	142	34
SVM1-210	610	245	855	170	142	35
SVM1-230	646	245	891	170	142	36
SVM1-250	692	290	982	190	155	42
SVM1-270	728	290	1018	190	155	43
SVM1-300	782	290	1072	190	155	45
SVM1-330	836	290	1126	190	155	49
SVM1-360	890	290	1180	190	155	51

Performance table

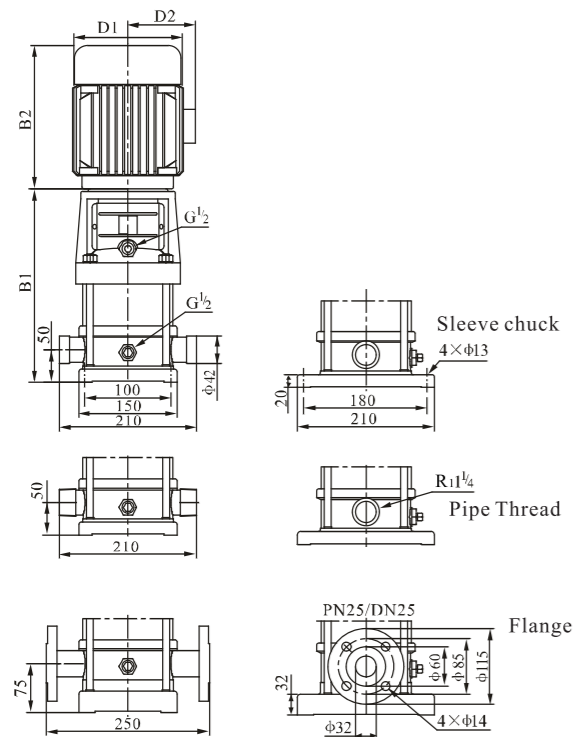
Model	Associated motor(kW)	Q (m³/h)	H (m)																	
			0.4	0.6	0.8	1.0	1.2	1.4	1.6	1.8										
SVM1-20	0.37	13	12.5	12	11.5	11	10.5	10	9.5											
SVM1-30	0.37	19	18	17.5	17	16.5	16	15	14											
SVM1-40	0.37	24	23.5	23	22.5	21.5	21	19	18											
SVM1-50	0.37	30	29.6	29	28	27	26	24	22											
SVM1-60	0.37	36	35.5	35	33.5	33	31	28	26											
SVM1-70	0.37	42	41	40.5	39	38	36	33	30											
SVM1-80	0.55	48	47	46	45	43	41	38	34											
SVM1-90	0.55	54	53	52	51	49	46	43	39											
SVM1-100	0.55	60	59	58	57	54	51	48	43											
SVM1-110	0.55	66	65	63	61	59	56	52	47											
SVM1-120	0.75	72	71	69	67	64	61	57	51											
SVM1-130	0.75	78	77	75	73	69	66	62	55											
SVM1-150	0.75	89	88	86	84	79	76	71	63											
SVM1-170	1.1	101	99	97	95	89	86	80	71											
SVM1-190	1.1	113	110	108	106	99	96	89	79											
SVM1-210	1.1	124	122	120	117	110	106	98	87											
SVM1-230	1.1	137	133	131	128	121	116	107	96											
SVM1-250	1.5	149	145	143	139	131	126	116	104											
SVM1-270	1.5	161	157	155	150	141	136	125	112											
SVM1-300	1.5	178	175	171	166	157	150	139	124											
SVM1-330	2.2	196	192	188	183	173	165	154	137											
SVM1-360	2.2	214	210	205	200	190	181	169	151											

Size and appearance of Single phase motors, explosion-proof motor are different, please contact our company.

Performance Curves



Installation drawing



Size & Weight

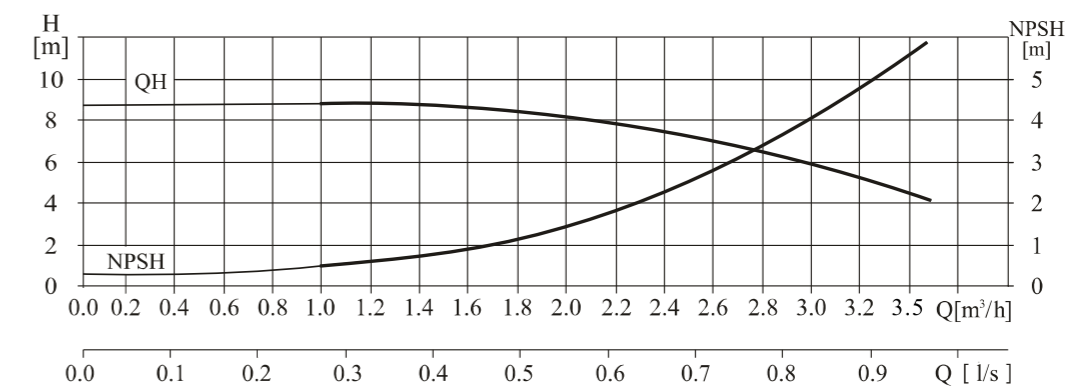
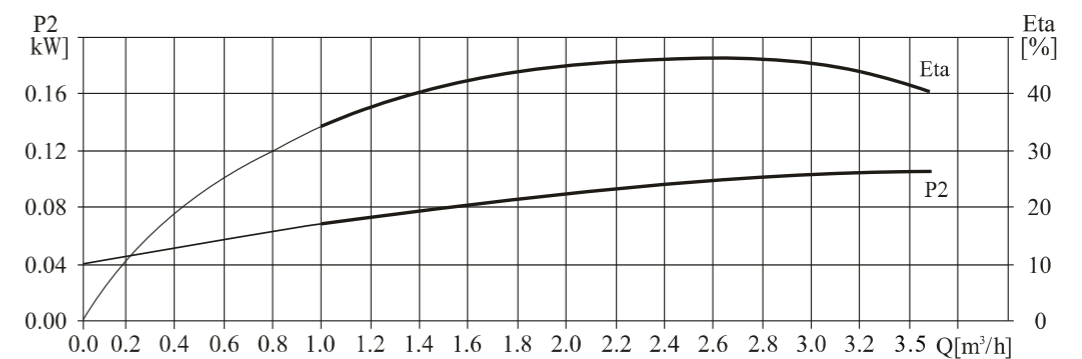
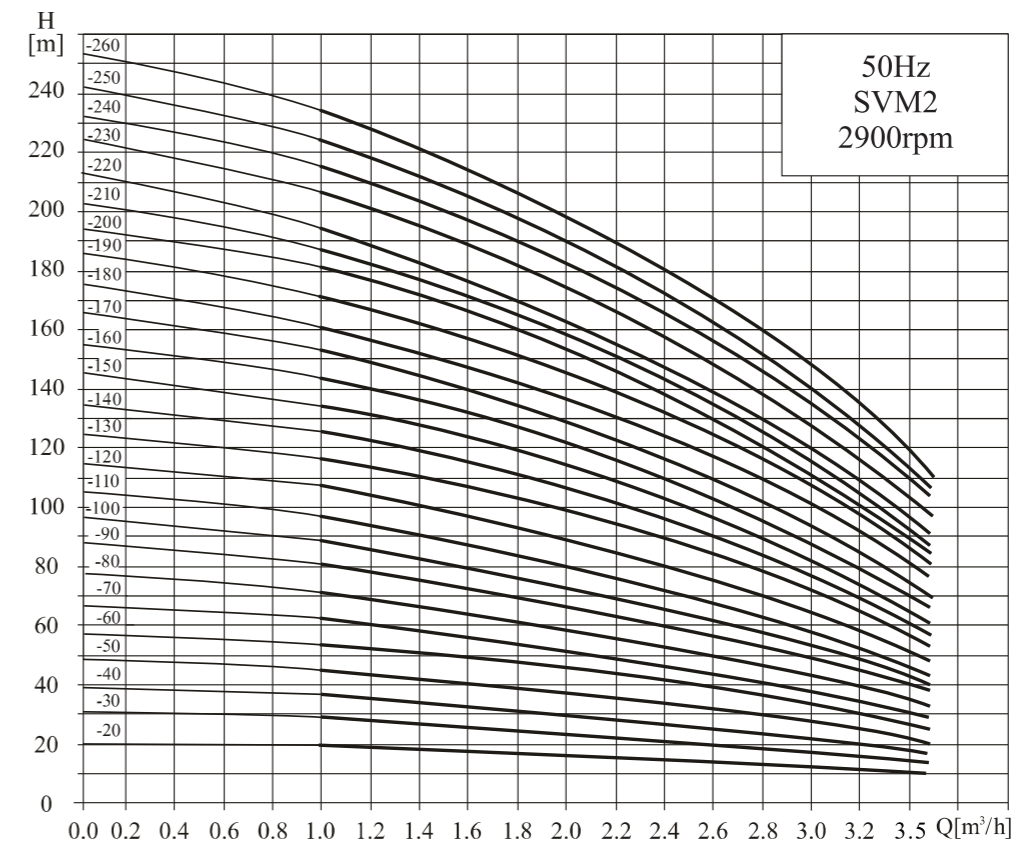
Model	Size(mm)					Weight (kg)
	B1	B2	B1+B2	D1	D2	
SVM2-20	258	225	483	148	117	20
SVM2-30	276	225	501	148	117	20
SVM2-40	294	225	519	148	117	22
SVM2-50	312	225	537	148	117	23
SVM2-60	340	245	585	170	142	26
SVM2-70	358	245	603	170	142	26
SVM2-90	394	245	639	170	142	28
SVM2-110	430	245	675	170	142	29
SVM2-130	476	290	766	190	155	35
SVM2-150	512	290	802	190	155	36
SVM2-180	566	290	856	190	155	41
SVM2-220	638	290	928	190	155	42
SVM2-260	720	345	1065	197	165	52

Performance table

Model	Associated motor(kW)	Q (m³/h)	H (m)							
			1	1.2	1.6	2.0	2.4	2.8	3.2	3.5
SVM2-20	0.37	18	17	16	15	13	12	10	8	
SVM2-30	0.37	27	26	24	22	20	18	15	12	
SVM2-40	0.55	36	35	33	30	26	24	20	16	
SVM2-50	0.55	45	43	40	37	33	30	24	20	
SVM2-60	0.75	53	52	50	45	40	36	30	24	
SVM2-70	0.75	63	61	57	52	47	41	35	28	
SVM2-90	1.1	80	78	73	67	61	54	45	37	
SVM2-110	1.1	98	95	89	82	73	64	54	44	
SVM2-130	1.5	116	114	106	98	89	78	65	52	
SVM2-150	1.5	134	130	123	112	100	90	73	60	
SVM2-180	2.2	161	157	148	136	121	108	91	76	
SVM2-220	2.2	197	192	180	165	148	130	110	90	
SVM2-260	3.0	232	228	214	198	179	158	130	110	

Size and appearance of Single phase motors, explosion-proof motor are different, please contact our company.

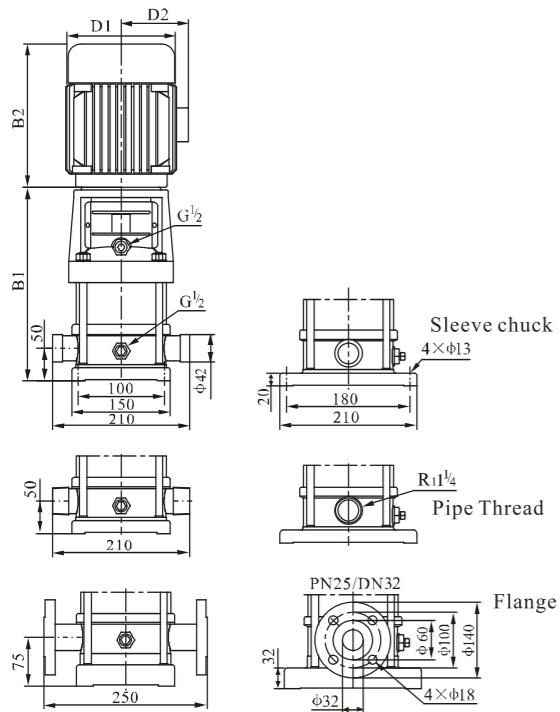
Performance Curves







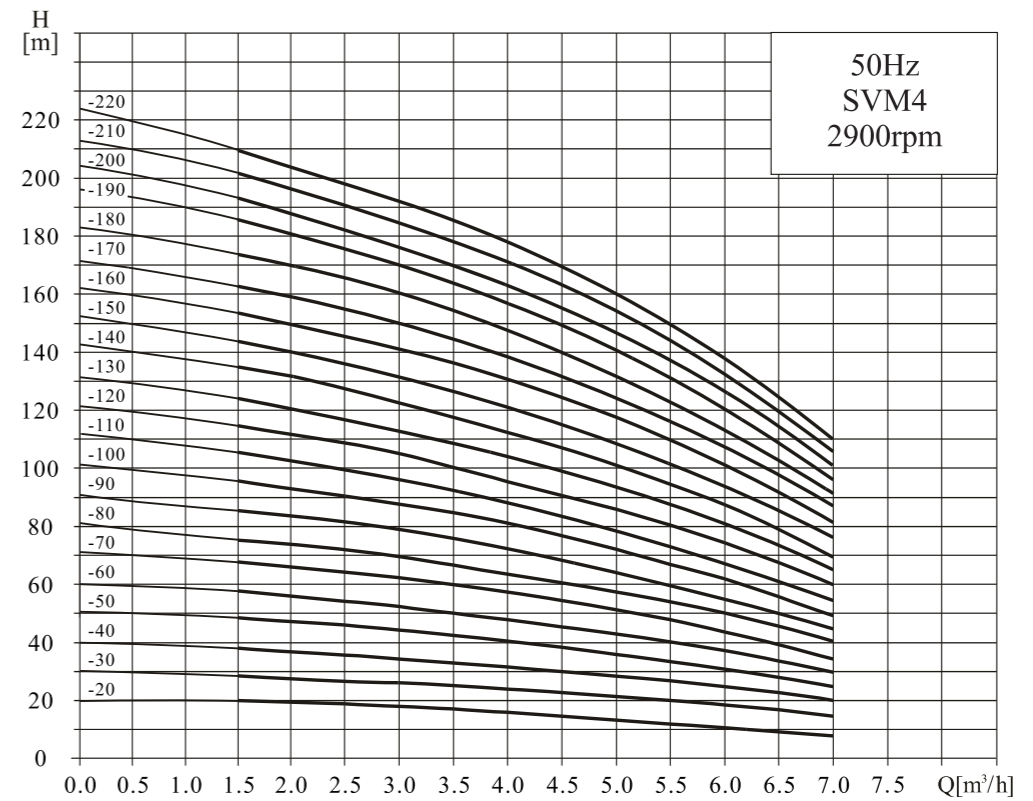
Installation drawing



Size & Weight

Model	Size(mm)					Weight (kg)
	B1	B2	B1+B2	D1	D2	
SVM4-20	276	225	501	148	117	21
SVM4-30	303	225	528	148	117	22
SVM4-40	340	245	585	170	142	25
SVM4-50	367	245	612	170	142	27
SVM4-60	394	245	639	170	142	27
SVM4-70	431	290	721	190	155	33
SVM4-80	458	290	748	190	155	33
SVM4-100	512	290	802	190	155	37
SVM4-120	566	290	856	190	155	38
SVM4-140	630	345	975	197	165	46
SVM4-160	684	345	1029	197	165	48
SVM4-190	765	355	1120	230	188	57
SVM4-220	846	355	1201	230	188	59

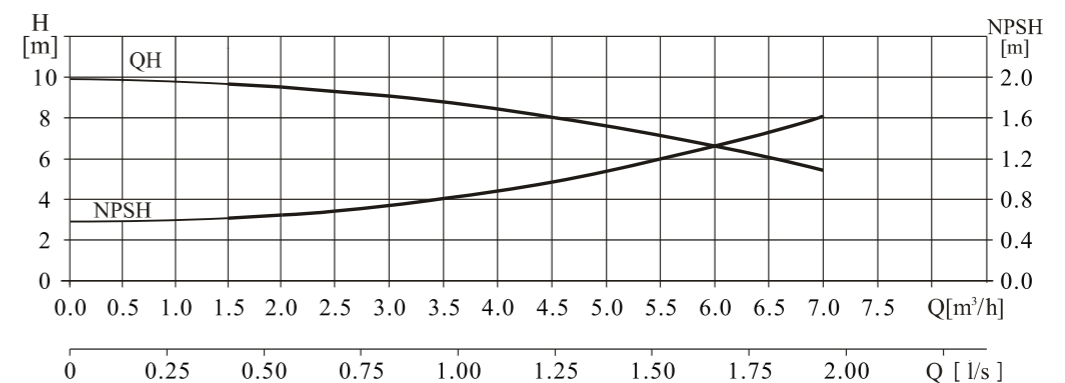
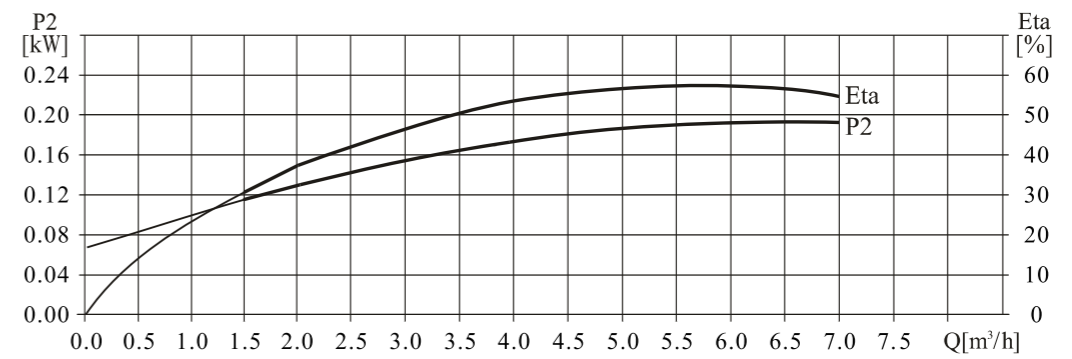
Performance Curves



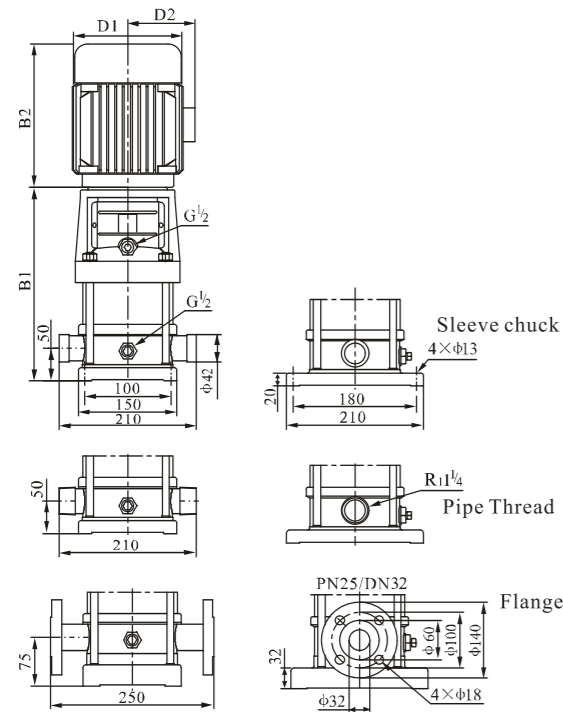
Performance table

Model	Associated motor(kW)	Q (m³/h)	H (m)						
			1.5	2.0	3.0	4.0	5.0	6.0	7.0
SVM4-20	0.37		19	18	17	15	13	10	8
SVM4-30	0.55		28	27	26	24	20	18	13
SVM4-40	0.75		38	36	34	32	27	24	19
SVM4-50	1.1		47	45	43	40	34	31	23
SVM4-60	1.1		56	54	52	48	41	37	28
SVM4-70	1.5		66	63	61	56	48	43	33
SVM4-80	1.5		74	72	70	64	55	50	38
SVM4-100	2.2		96	90	87	81	71	62	48
SVM4-120	2.2		114	108	104	95	85	75	58
SVM4-140	3.0		136	126	122	112	101	89	68
SVM4-160	3.0		152	144	140	129	115	101	78
SVM4-190	4.0		183	171	168	153	137	122	93
SVM4-220	4.0		211	200	192	178	160	138	108

Size and appearance of Single phase motors, explosion-proof motor are different, please contact our company.



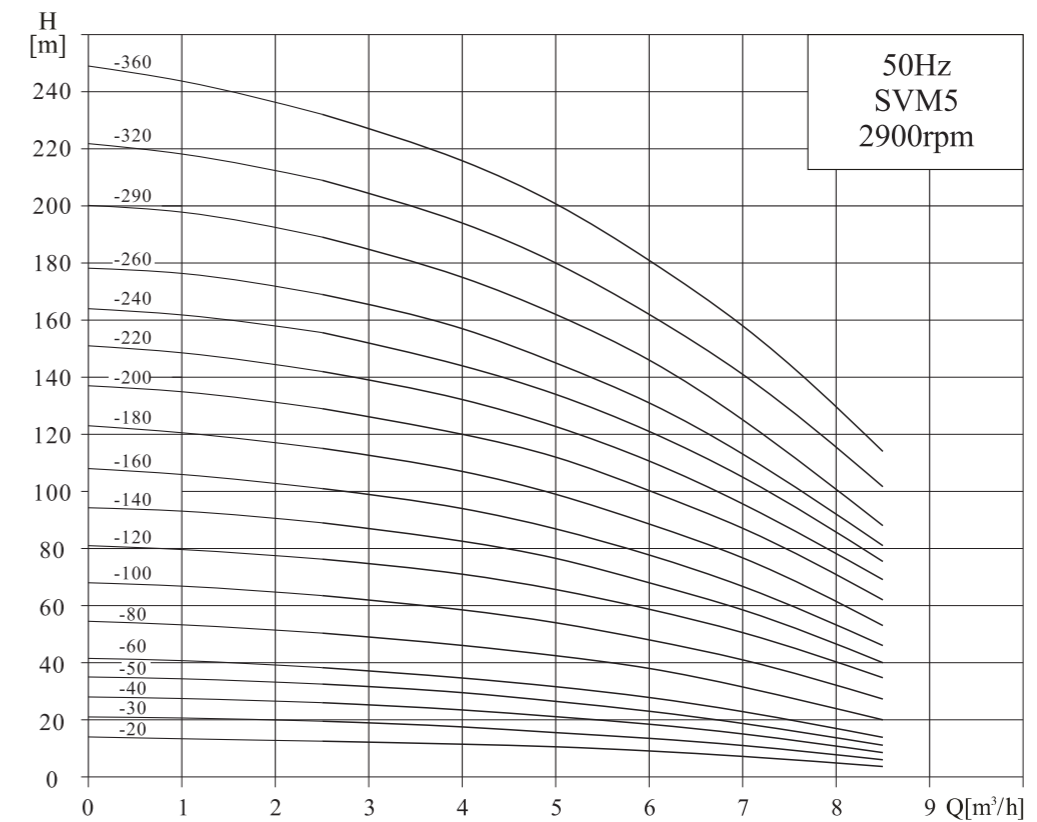
Installation drawing



Size & Weight

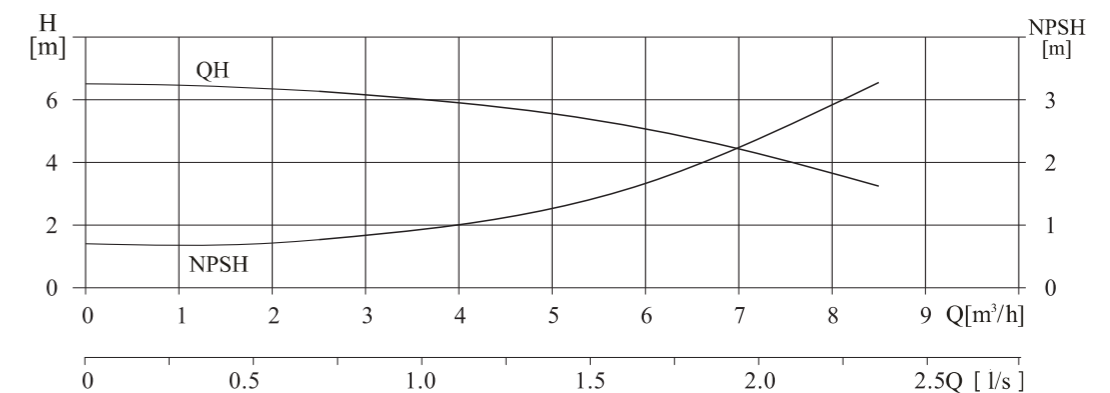
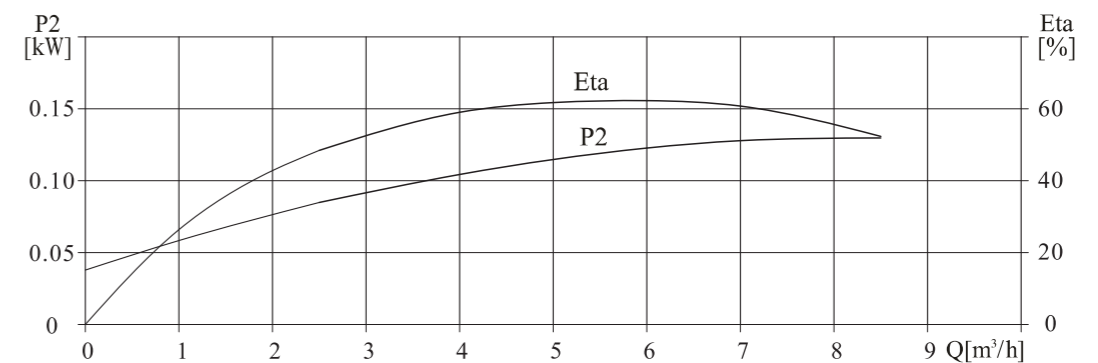
Model	Size(mm)					Weight (kg)
	B1	B2	B1+B2	D1	D2	
SVM5-20	276	225	501	148	117	21
SVM5-30	303	225	528	148	117	22
SVM5-40	330	225	555	148	117	23
SVM5-50	367	245	612	170	142	25
SVM5-60	394	245	639	170	142	26
SVM5-80	448	245	693	170	142	27
SVM5-100	512	290	802	190	155	33
SVM5-120	566	290	856	190	155	37
SVM5-140	620	290	910	190	155	38
SVM5-160	674	290	964	190	155	39
SVM5-180	738	345	1083	197	165	48
SVM5-200	792	345	1137	197	165	49
SVM5-220	846	355	1201	230	185	57
SVM5-240	900	355	1255	230	185	58
SVM5-260	954	355	1309	230	185	59
SVM5-290	1035	355	1390	230	185	60
SVM5-320	1136	390	1526	260	210	75
SVM5-360	1244	390	1634	260	210	76

Performance Curves

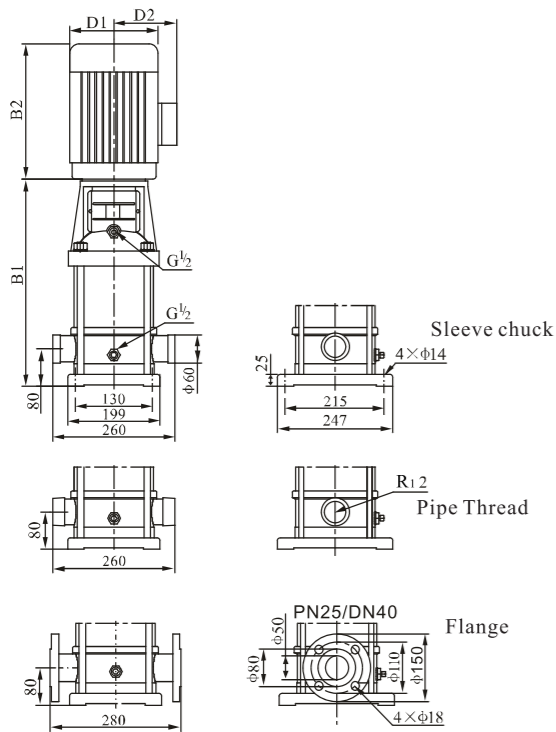


Performance table

Model	Associated motor(kW)	Q (m³/h)	H (m)					
			2.5	4	5	6	7	8.5
SVM5-20	0.37	12.5	11.5	10.5	9	7	3.5	
SVM5-30	0.55	19.5	17.5	15.5	13.5	11	6	
SVM5-40	0.55	26	23.5	21	18.5	15	8.5	
SVM5-50	0.75	32.5	29.5	26.5	23	18.5	11	
SVM5-60	1.1	38.5	34.5	31.5	28	23	14	
SVM5-80	1.1	50.5	46	42.5	38	31.5	20	
SVM5-100	1.5	63.5	58.5	54	48	41	27.5	
SVM5-120	2.2	76	71	65.5	58.5	50.5	35	
SVM5-140	2.2	89	82	76.5	68	58.5	40	
SVM5-160	2.2	101	94	87	77.5	66.5	46	
SVM5-180	3.0	115	107	99	88.5	77	53	
SVM5-200	3.0	129	120	112	100	87	62	
SVM5-220	4.0	142	132	123	111	96	69	
SVM5-240	4.0	156	144	134	121	105	75.5	
SVM5-260	4.0	169	157	145	131	113	81	
SVM5-290	4.0	189	175	162	146	125	88	
SVM5-320	5.5	209	194	180	162	141	102	
SVM5-360	5.5	232	216	201	181	158	114	



Installation drawing



Size & Weight

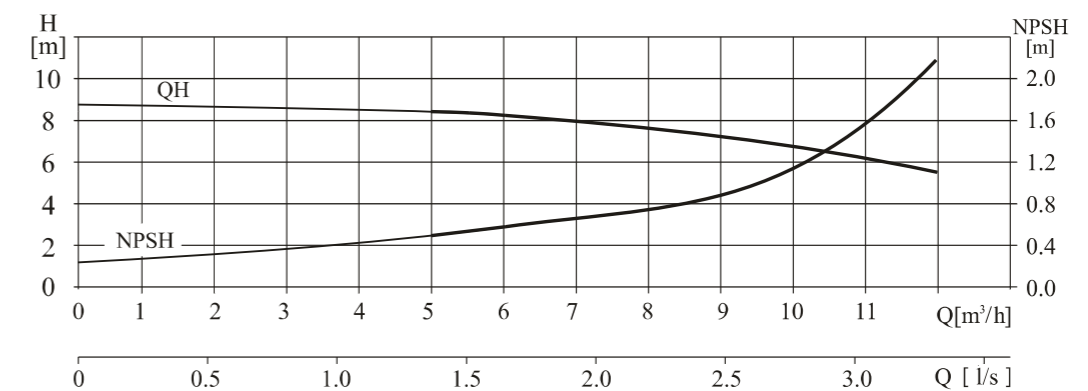
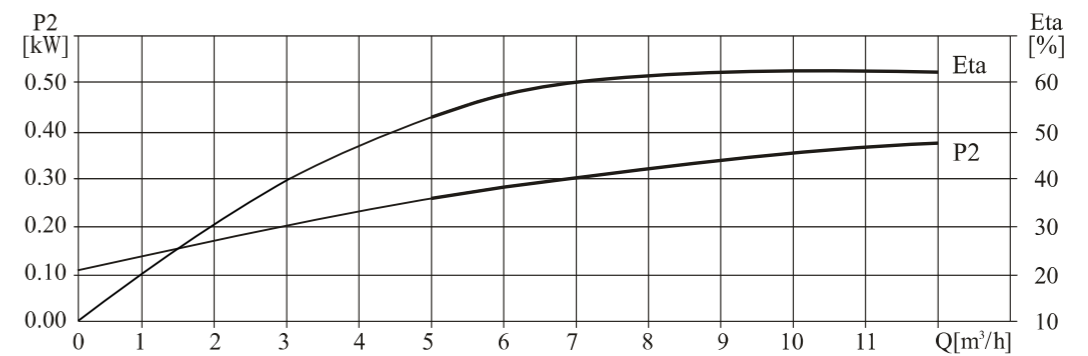
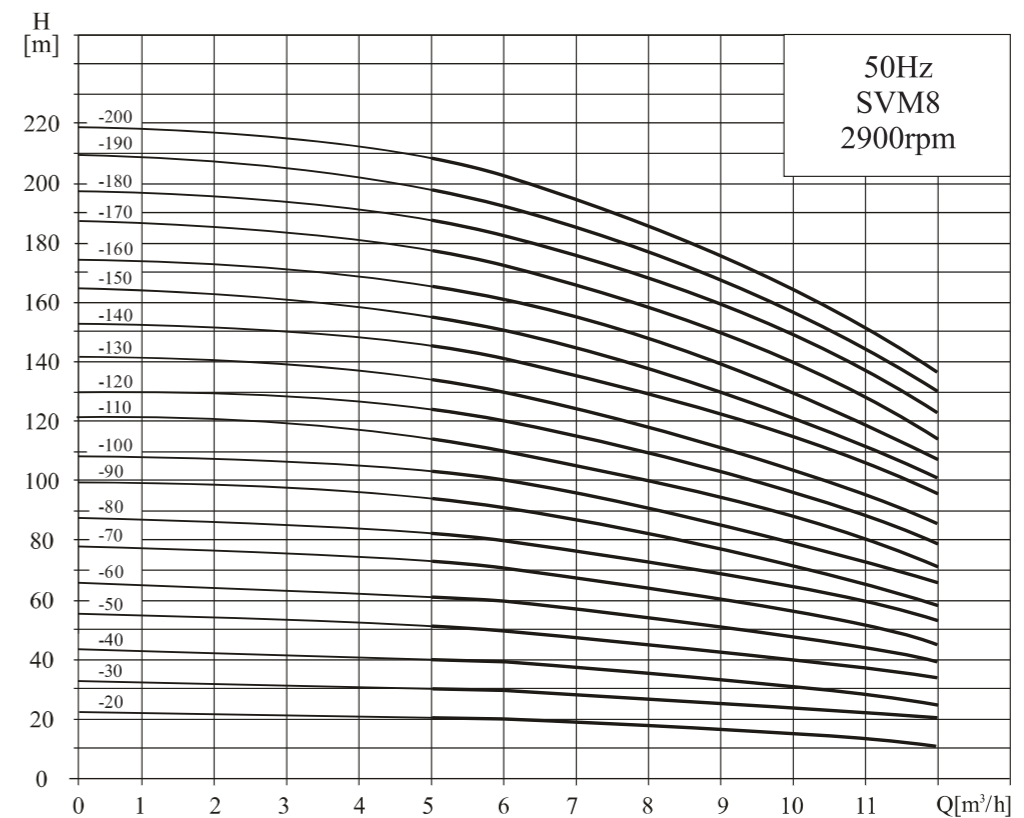
Model	Size(mm)					Weight (kg)
	B1	B2	B1+B2	D1	D2	
SVM8-20	347	245	592	170	142	32
SVM8-30	377	245	622	170	142	34
SVM8-40	417	290	707	190	155	40
SVM8-50	447	290	737	190	155	44
SVM8-60	477	290	767	190	155	45
SVM8-80	547	345	892	197	165	53
SVM8-100	607	355	962	230	188	64
SVM8-120	667	355	1022	230	188	66
SVM8-140	747	390	1137	260	208	81
SVM8-160	807	390	1197	260	208	84
SVM8-180	867	390	1257	260	208	93
SVM8-200	927	390	1317	260	208	94

Performance table

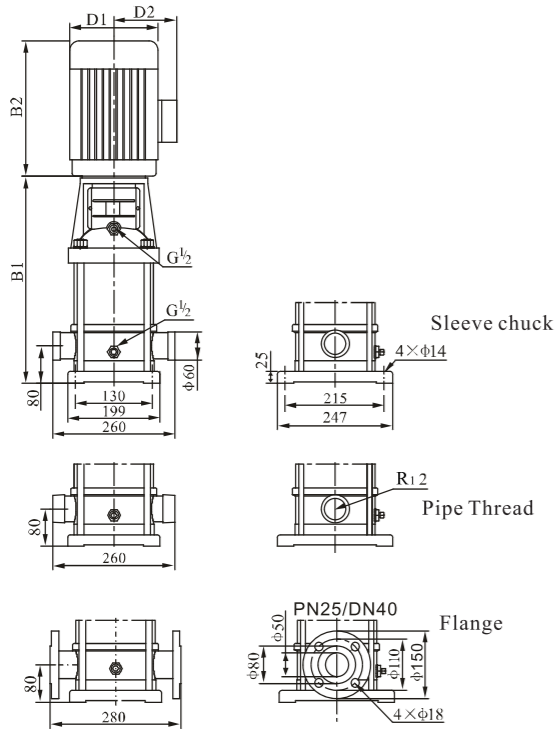
Model	Associated motor(kW)	Q (m³/h)	H (m)												
			5	6	7	8	9	10	11	12					
SVM8-20	0.75	20	19.5	19	18	17	16	14	13						
SVM8-30	1.1	30	29.5	28.5	27	25	24	21	19						
SVM8-40	1.5	41	39.5	38	36	34	32	28	26						
SVM8-50	2.2	52	50	48	45	42	40	36	32						
SVM8-60	2.2	62	60	57	54	51	48	43	39						
SVM8-80	3.0	83	80	77	73	69	65	58	52						
SVM8-100	4.0	104	100	97	92	87	81	73	65						
SVM8-120	4.0	124	120	116	111	104	92	87	78						
SVM8-140	5.5	145	141	136	130	122	113	102	92						
SVM8-160	5.5	166	161	156	148	139	130	118	106						
SVM8-180	7.5	187	182	175	167	157	146	134	120						
SVM8-200	7.5	208	202	195	186	175	163	150	135						

Size and appearance of Single phase motors, explosion-proof motor are different, please contact our company.

Performance Curves



Installation drawing



Size & Weight

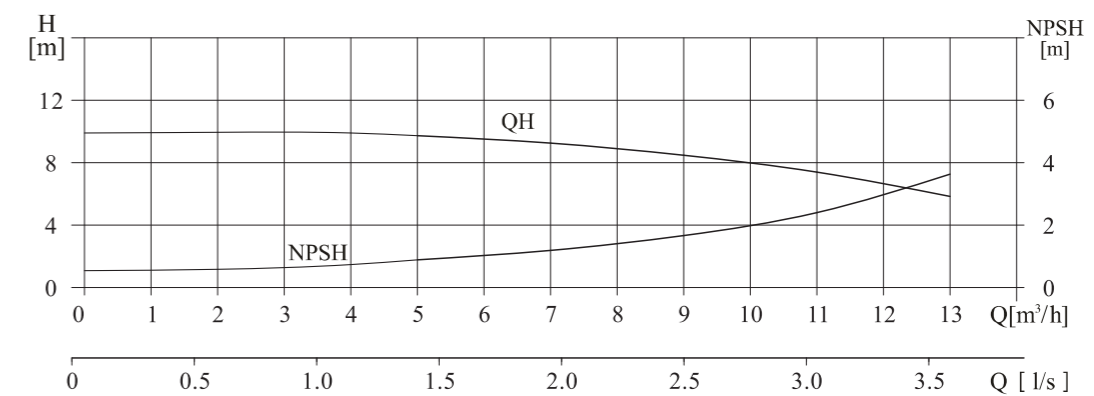
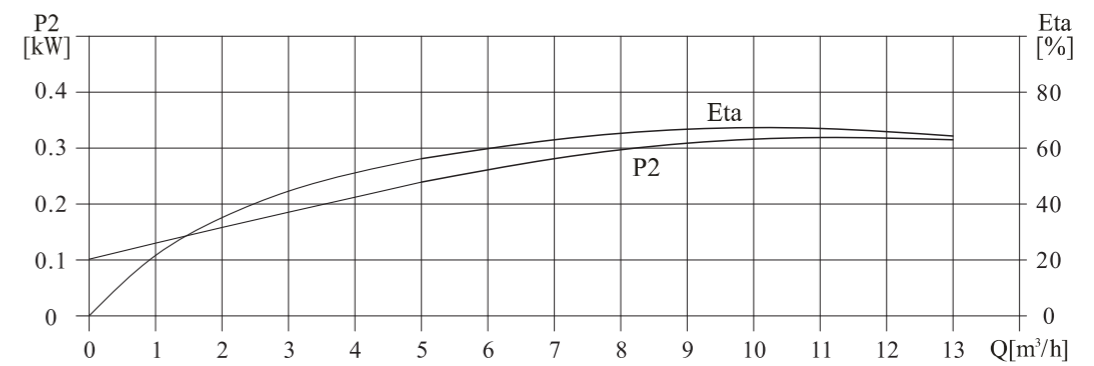
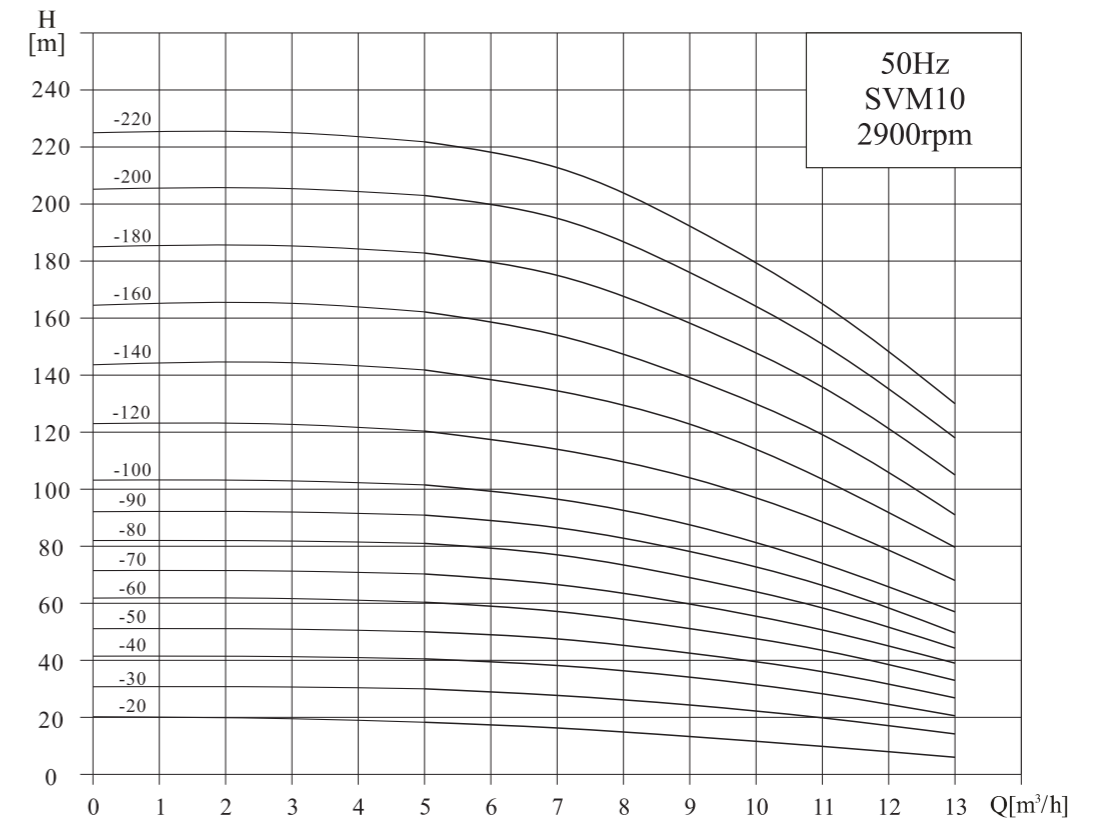
Model	Size(mm)					Weight (kg)
	B1	B2	B1+B2	D1	D2	
SVM10-20	347	245	592	170	142	32
SVM10-30	377	245	722	170	142	34
SVM10-40	417	290	707	190	155	40
SVM10-50	447	290	737	190	155	44
SVM10-60	477	290	767	190	155	45
SVM10-70	517	345	862	197	165	52
SVM10-80	547	345	892	197	165	53
SVM10-90	577	345	922	197	165	54
SVM10-100	607	355	962	230	185	64
SVM10-120	667	355	1022	230	185	66
SVM10-140	747	390	1137	260	210	81
SVM10-160	807	390	1197	260	210	82
SVM10-180	867	390	1257	260	210	93
SVM10-200	927	390	1317	260	210	94
SVM10-220	987	390	1377	260	210	95

Performance table

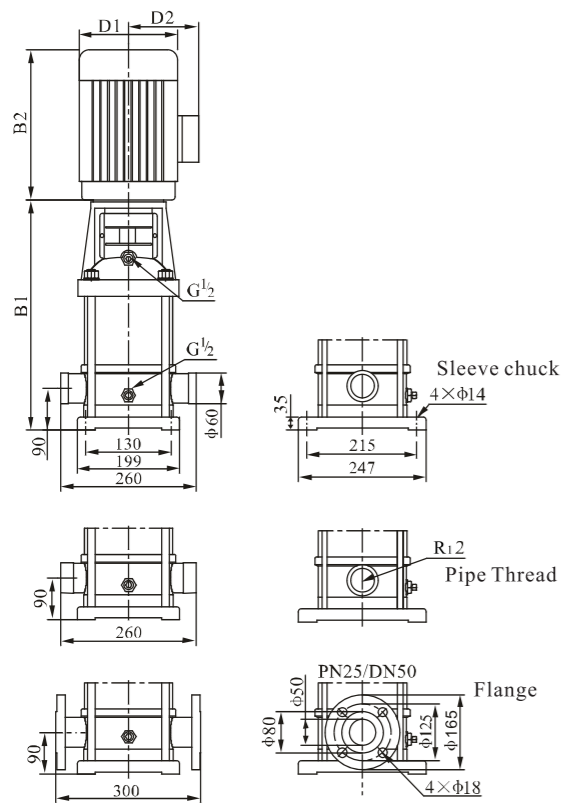
Model	Associated motor(kW)	Q (m³/h)	H (m)																	
			5	6	7	8	9	10	11	12	13									
SVM10-20	0.75	18.5	17	16	14	13	12	10	8.5	7										
SVM10-30	1.1	30	28.5	27.5	25.5	24.5	22	20	18	14.5										
SVM10-40	1.5	40.5	39.5	38.5	36.5	34	31.5	28.5	25.5	21										
SVM10-50	2.2	50	49	47.5	45.5	42.5	39.5	36	32	27										
SVM10-60	2.2	60	59	57	55	51	47.5	43.5	39	33.5										
SVM10-70	3.0	70.5	69	66.5	64	59.5	55.5	50.5	45.5	39										
SVM10-80	3.0	81	79	77	74.5	69	64	58.5	53	44.5										
SVM10-90	3.0	91	89	86.5	82.5	78	72	66.5	59.5	50										
SVM10-100	4.0	101.5	99	96.5	92.5	87.5	81.5	74	67	57										
SVM10-120	4.0	120.5	119	114	110	104	97	88.5	80	68										
SVM10-140	5.5	142	139	134.5	131	123	114	103.5	93.5	80										
SVM10-160	5.5	162	159	154	148.5	139	130	119	107	91										
SVM10-180	7.5	183	180	175	167	158	148	136	121	105										
SVM10-200	7.5	203	200	195	186	176	165	151	134	118										
SVM10-220	7.5	222	219	213	203	192	179	165	149	130										

Size and appearance of Single phase motors, explosion-proof motor are different, please contact our company.

Performance Curves



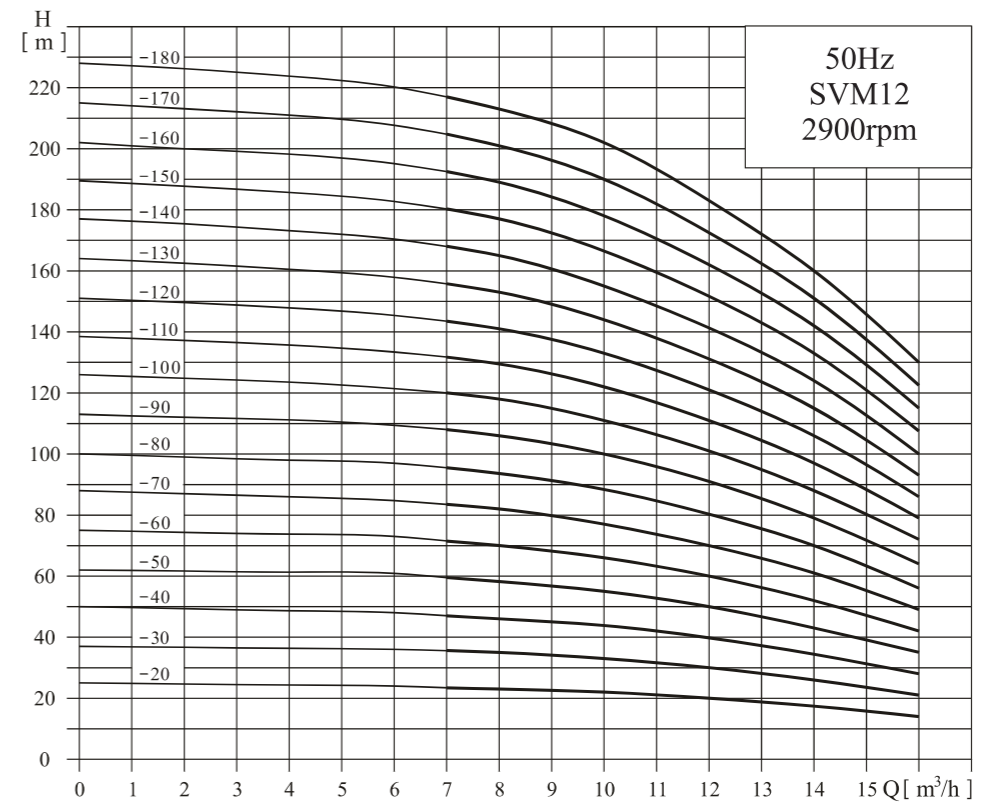
Installation drawing



Size & Weight

Model	Size(mm)					Weight (kg)
	B1	B2	B1+B2	D1	D2	
SVM12-20	367	290	657	190	155	39
SVM12-30	397	290	687	190	155	43
SVM12-40	437	345	782	197	165	51
SVM12-50	467	345	812	197	165	53
SVM12-60	497	355	852	230	188	61
SVM12-70	547	390	937	260	208	73
SVM12-80	577	390	967	260	208	74
SVM12-90	607	390	997	260	208	76
SVM12-100	637	390	1027	260	208	83
SVM12-120	697	390	1087	260	208	87
SVM12-140	757	390	1147	260	208	108
SVM12-160	905	500	1405	330	255	161
SVM12-180	965	500	1465	330	255	164

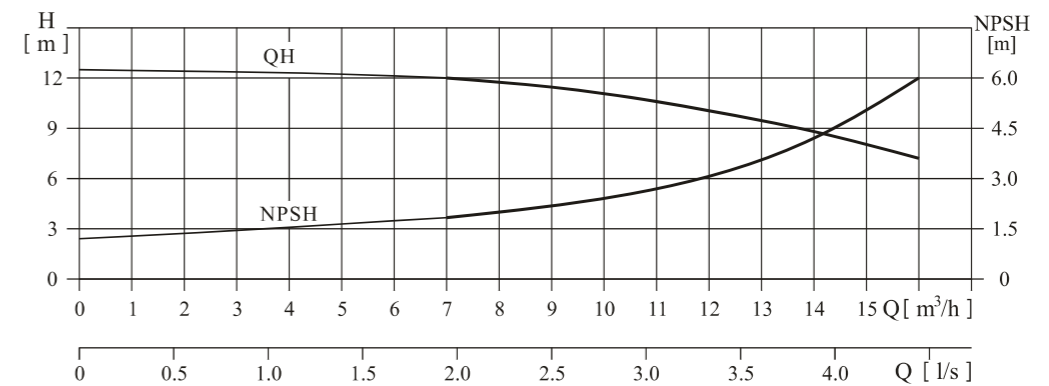
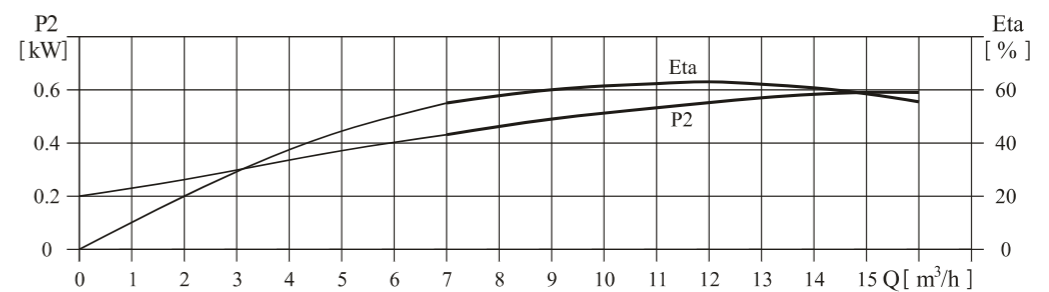
Performance Curves



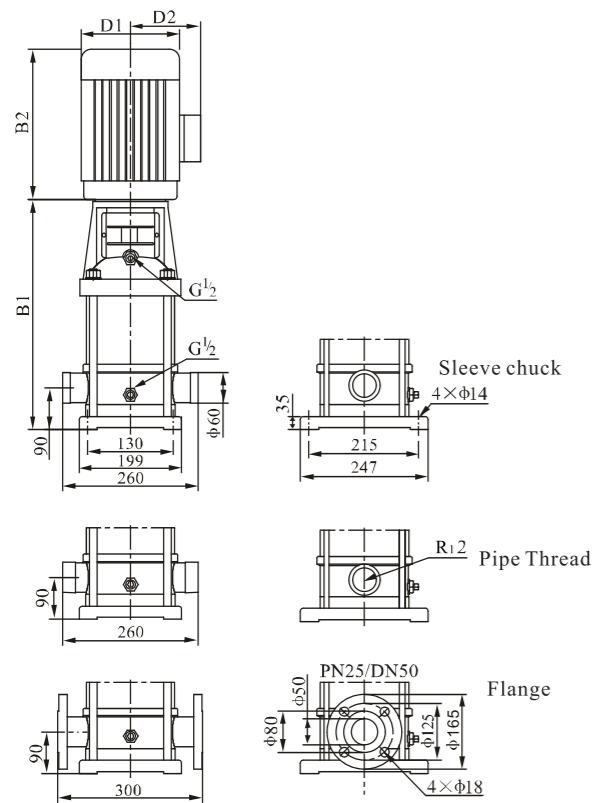
Performance table

Model	Associated motor(kW)	Q (m³/h)	H (m)															
			7	8	9	10	11	12	13	14	15	16						
SVM12-20	1.5		23.5	23	22.5	22	21	20	18.5	17	15.5	14						
SVM12-30	2.2		35.5	35	34	33	31.5	30	28	26	23.5	21						
SVM12-40	3		47	46	45	44	42	40	37	34	31	28						
SVM12-50	3		59.5	58	56.5	55	52.5	50	46.5	43	39	35						
SVM12-60	4		71.5	70	68	66	63	60	56	52	47	42						
SVM12-70	5.5		83.5	82	79.5	77	73.5	70	65.5	61	55	49						
SVM12-80	5.5		95.5	94	91	88	84	80	75	70	63	56						
SVM12-90	5.5		108	106	103	100	95.5	91	85	79	71.5	64						
SVM12-100	7.5		120	118	114.5	111	106	101	94.5	88	80	72						
SVM12-120	7.5		143.5	141	137	133	127	121	113.5	106	96	86						
SVM12-140	11		168	165	160	155	148	141	132.5	124	112	100						
SVM12-160	11		192.5	189	183.5	178	170	162	152	142	128.5	115						
SVM12-180	11		217	213	207.5	202	192.5	183	171.5	160	145	130						

Size and appearance of Single phase motors, explosion-proof motor are different, please contact our company.



Installation drawing



Size & Weight

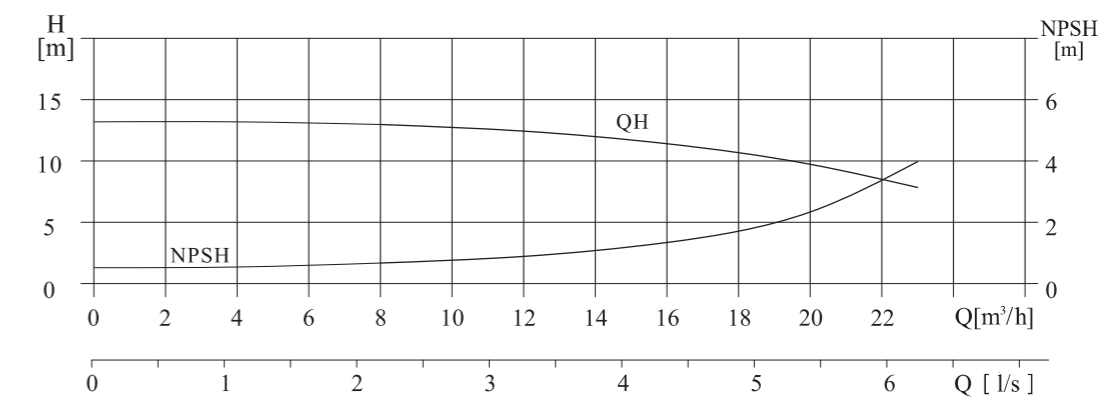
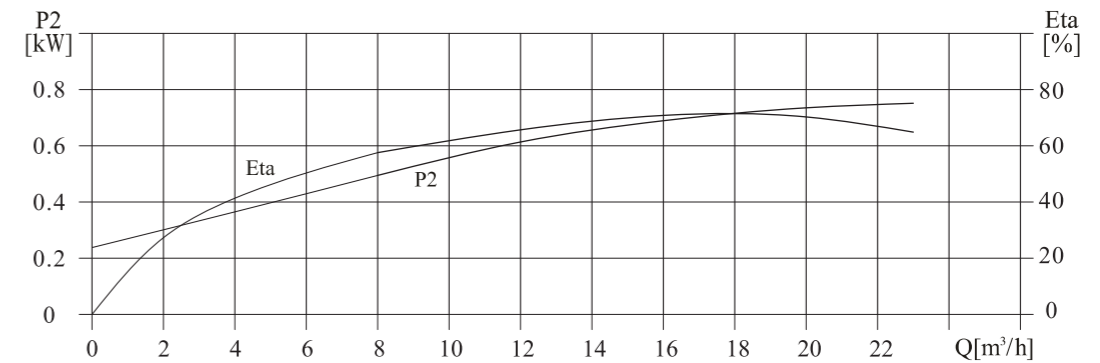
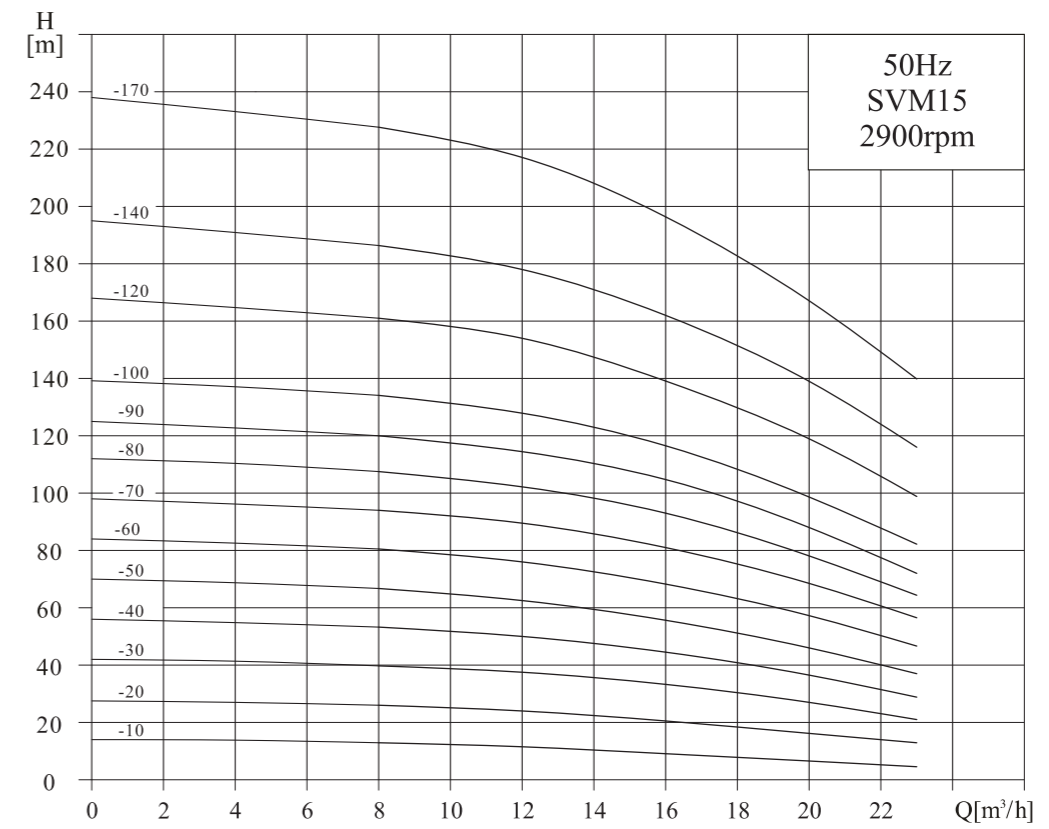
Model	Size(mm)					Weight (kg)
	B1	B2	B1+B2	D1	D2	
SVM15-10	352	245	597	170	142	33
SVM15-20	397	290	687	190	155	42
SVM15-30	452	345	797	197	165	50
SVM15-40	497	355	852	230	185	59
SVM15-50	542	355	897	230	185	60
SVM15-60	607	390	997	260	210	77
SVM15-70	652	390	1042	260	210	78
SVM15-80	697	390	1087	260	210	86
SVM15-90	742	390	1132	260	210	87
SVM15-100	875	500	1375	330	255	160
SVM15-120	965	500	1465	330	255	161
SVM15-140	1055	500	1555	330	255	162
SVM15-170	1190	500	1690	330	255	179

Performance table

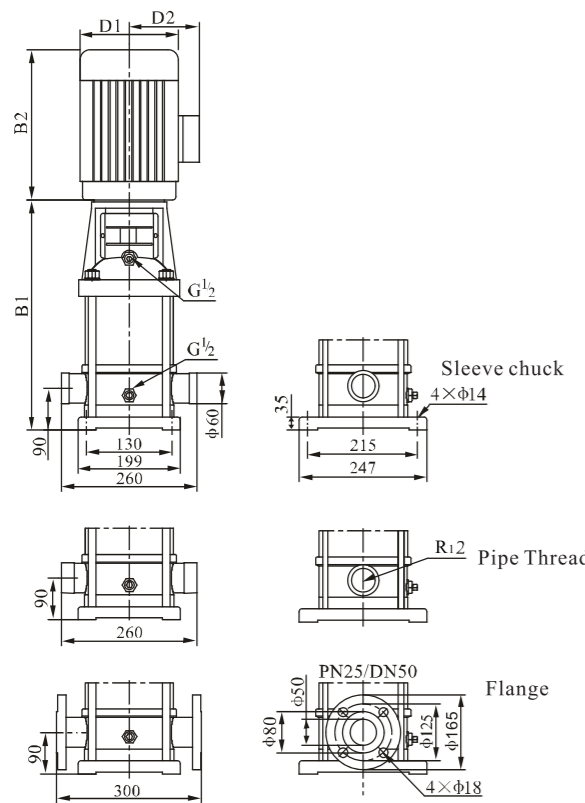
Model	Associated motor(kW)	Q (m³/h)	H (m)									
			8	10	12	14	15	16	18	20	23	
SVM15-10	1.1	13	13	12	11.5	10.5	10	9	7.5	6	4.5	
SVM15-20	2.2	26	26	25	24	23	22	20.5	18	16	13	
SVM15-30	3.0	39.5	39.5	38.5	37.5	35.5	34.5	33.5	30.5	27	21	
SVM15-40	4.0	53	53	51.5	50	47.5	46	44.5	41	36.5	29	
SVM15-50	4.0	67	67	64.5	62.5	60	58	55.5	52	46	37	
SVM15-60	5.5	80.5	80.5	78	76	73	70.5	68	63.5	57	46.5	
SVM15-70	5.5	94	94	92	89.5	86	83.5	81	75.5	68.5	56.5	
SVM15-80	7.5	107.5	107.5	106	102.5	98.5	96	93	86.5	78	64.5	
SVM15-90	7.5	120	120	118	114.5	110	107	105	97	88	72	
SVM15-100	11	134	134	132	128	123	120	116.5	108.5	98.5	82.5	
SVM15-120	11	161	161	158	154	148	144	139	130	119	99	
SVM15-140	11	186	186	183	178	172	167	162	152	139	116	
SVM15-170	15	227	227	224	217	210	203	196	185	167	140	

Size and appearance of Single phase motors, explosion-proof motor are different, please contact our company.

Performance Curves



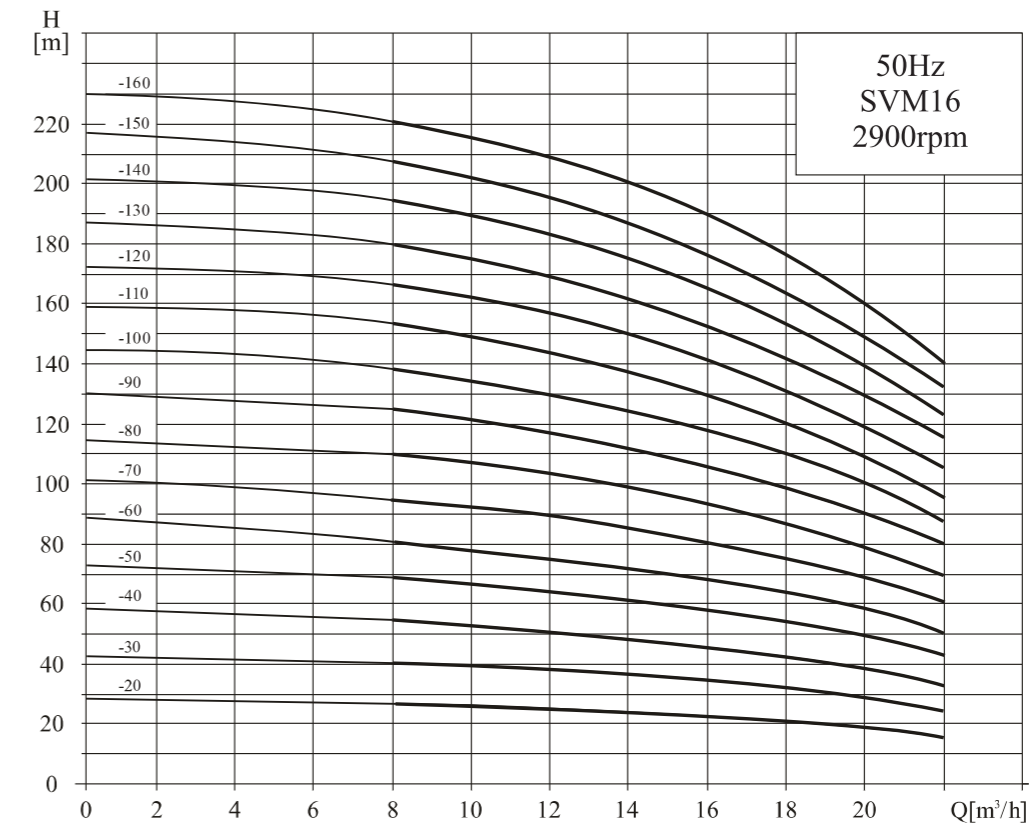
Installation drawing



Size & Weight

Model	Size(mm)					Weight (kg)
	B1	B2	B1+B2	D1	D2	
SVM16-20	397	290	687	190	155	42
SVM16-30	452	345	797	197	165	50
SVM16-40	497	355	852	230	188	59
SVM16-50	562	390	952	260	208	76
SVM16-60	607	390	997	260	208	77
SVM16-70	652	390	1042	260	208	84
SVM16-80	697	390	1087	260	208	86
SVM16-100	787	390	1177	260	208	106
SVM16-120	965	500	1465	330	255	161
SVM16-140	1055	500	1555	330	255	174
SVM16-160	1145	500	1645	330	255	178

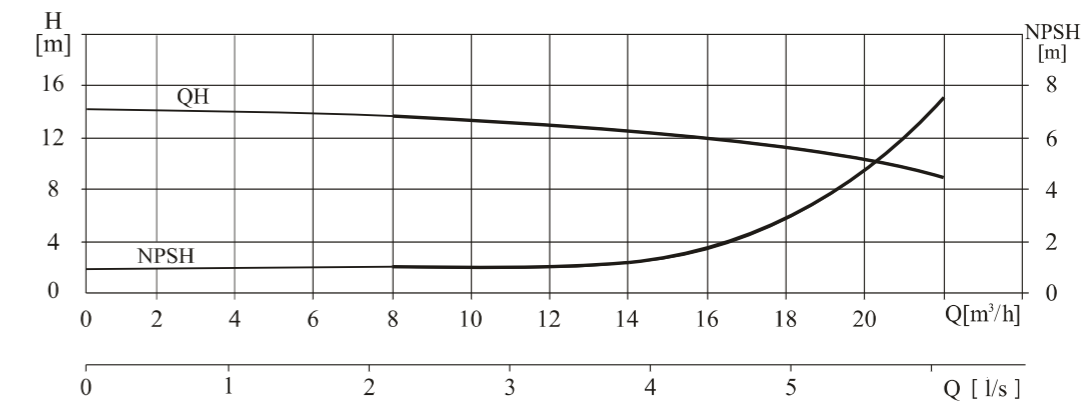
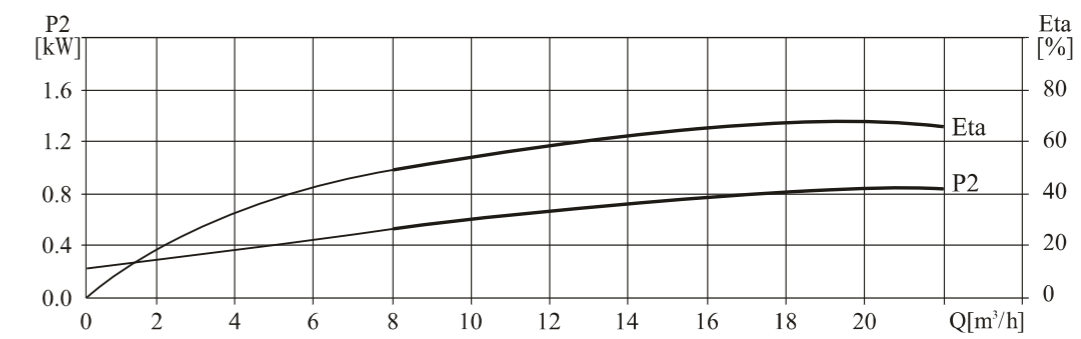
Performance Curves



Performance table

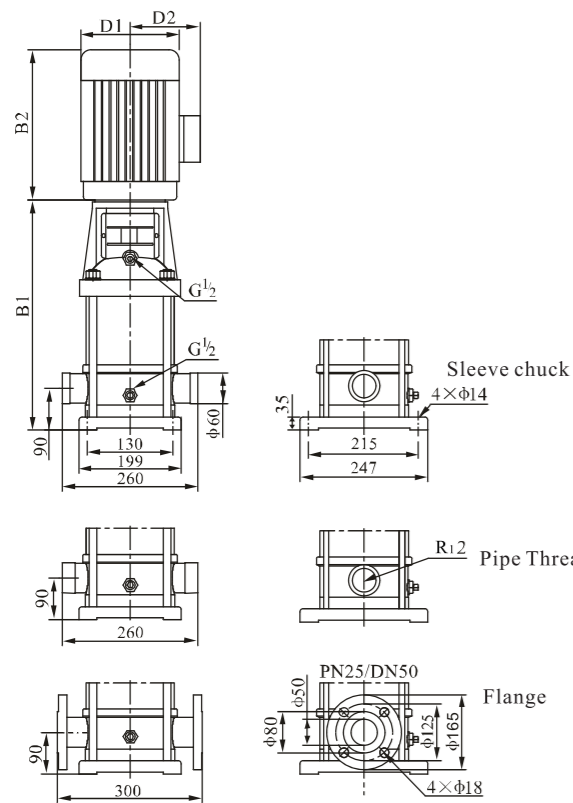
Model	Associated motor(kW)	Q (m³/h)	H (m)									
			8	10	12	14	16	18	20	22		
SVM16-20	2.2		27	26	25	24	22	21	19	16		
SVM16-30	3.0		41	40	38	37	34	32	29	25		
SVM16-40	4.0		54	53	52	49	46	43	38	34		
SVM16-50	5.5		68	67	65	62	58	54	48	43		
SVM16-60	5.5		82	80	78	74	70	64	58	52		
SVM16-70	7.5		96	95	91	87	82	76	68	61		
SVM16-80	7.5		110	108	104	99	94	86	77	70		
SVM16-100	11		138	136	131	125	118	109	97	87		
SVM16-120	11		166	162	157	150	141	130	116	105		
SVM16-140	15		194	190	184	175	166	152	136	122		
SVM16-160	15		222	217	210	200	189	174	156	140		

Size and appearance of Single phase motors, explosion-proof motor are different, please contact our company.





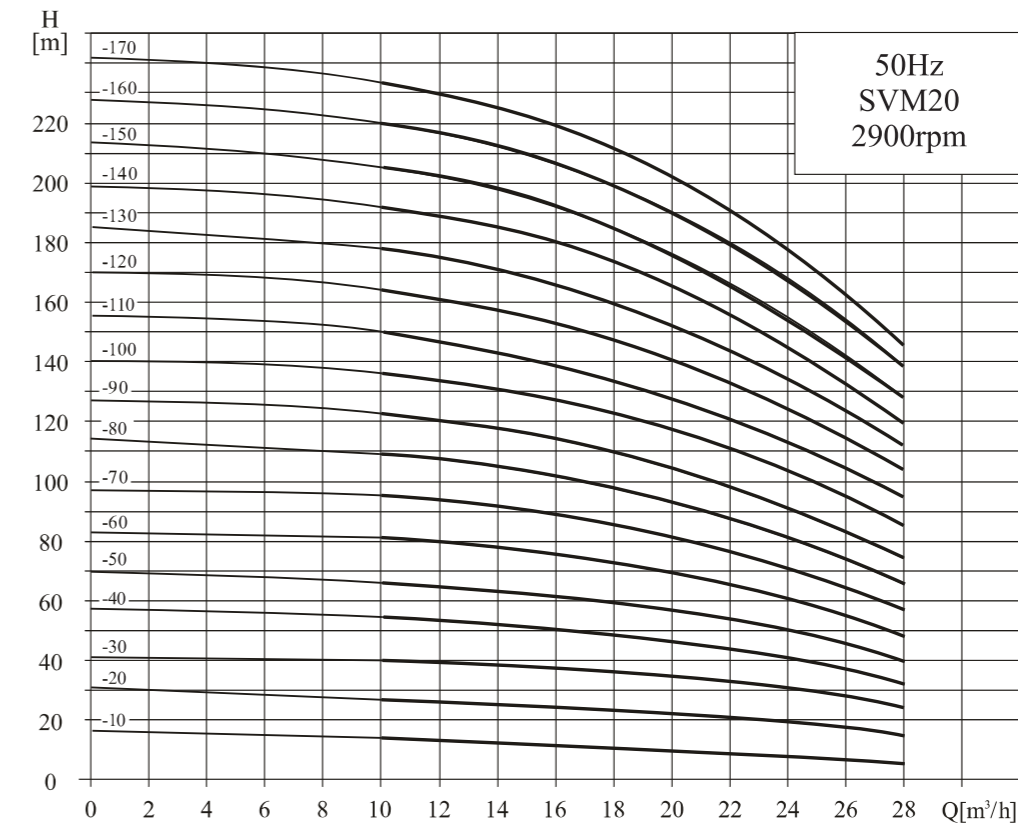
Installation drawing



Size & Weight

Model	Size(mm)					Weight (kg)
	B1	B2	B1+B2	D1	D2	
SVM20-10	387	245	632	170	142	33
SVM20-20	397	290	687	190	155	42
SVM20-30	452	355	807	230	188	58
SVM20-40	517	390	907	260	208	74
SVM20-50	562	390	952	260	208	76
SVM20-60	607	390	997	260	208	82
SVM20-70	652	390	1042	260	208	84
SVM20-80	697	390	1087	260	208	101
SVM20-100	875	500	1375	330	255	157
SVM20-120	965	500	1465	330	255	170
SVM20-140	1055	500	1555	330	255	172
SVM20-170	1190	550	1740	330	255	195

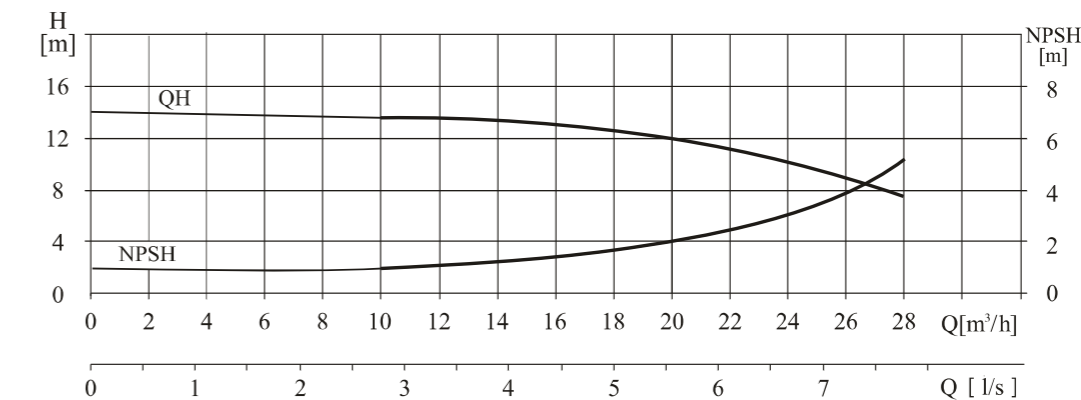
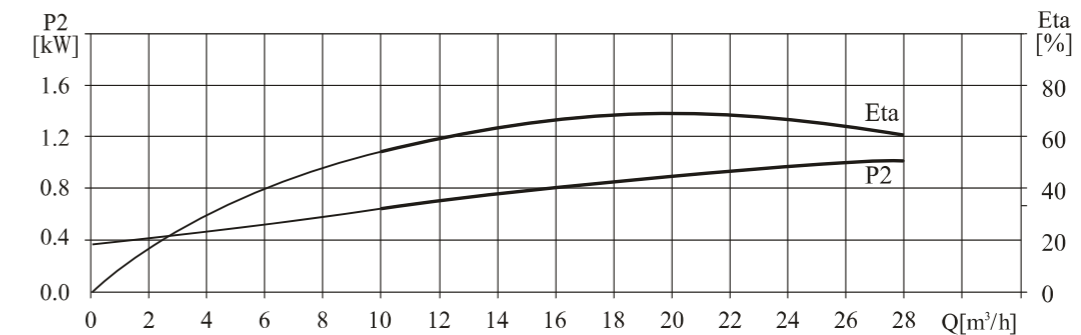
Performance Curves



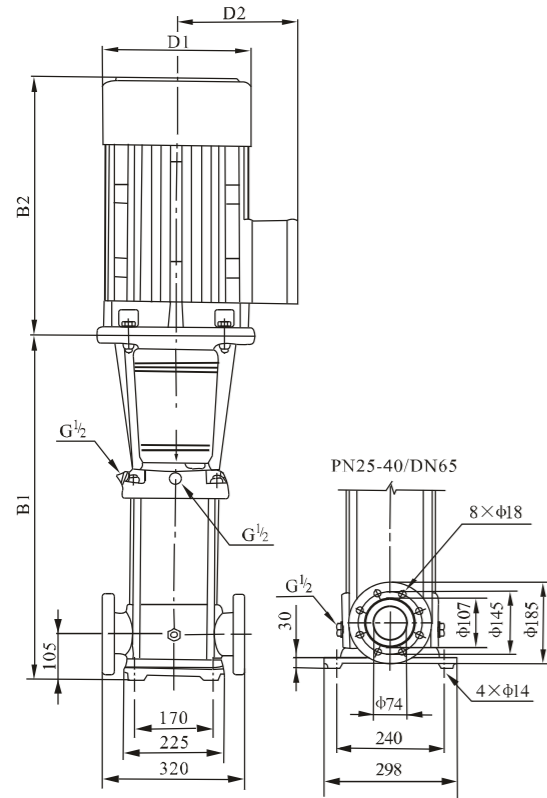
Performance table

Model	Associated motor(kW)	Q (m³/h)	H (m)														
			10	12	14	16	18	20	22	24	26	28					
SVM20-10	1.1	13.5	13	12.5	12	11	10	9	8	7	6						
SVM20-20	2.2	27	26.5	26	25	24	23	22	20	18	15						
SVM20-30	4.0	40	39.5	39	38	37	35	33	30	27	24						
SVM20-40	5.5	54	53	52	51	49	47	44	41	37	33						
SVM20-50	5.5	67	66	64	62	60	58	55	50	45	40						
SVM20-60	7.5	81	79	77	75	73	70	66	61	55	49						
SVM20-70	7.5	95	93	91	89	86	82	77	71	65	58						
SVM20-80	11	109	107	105	102	99	94	89	82	75	67						
SVM20-100	11	136	134	131	128	124	118	111	103	95	85						
SVM20-120	15	164	162	158	154	149	142	133	124	114	102						
SVM20-140	15	192	189	185	180	174	166	156	145	133	119						
SVM20-170	18.5	234	230	225	219	212	202	190	177	162	145						

Size and appearance of Single phase motors, explosion-proof motor are different, please contact our company.



Installation drawing



Size & Weight

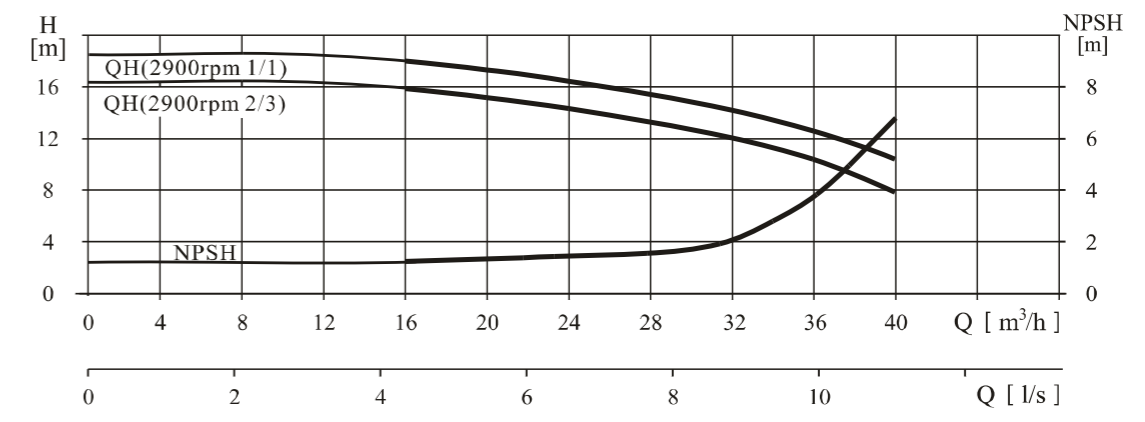
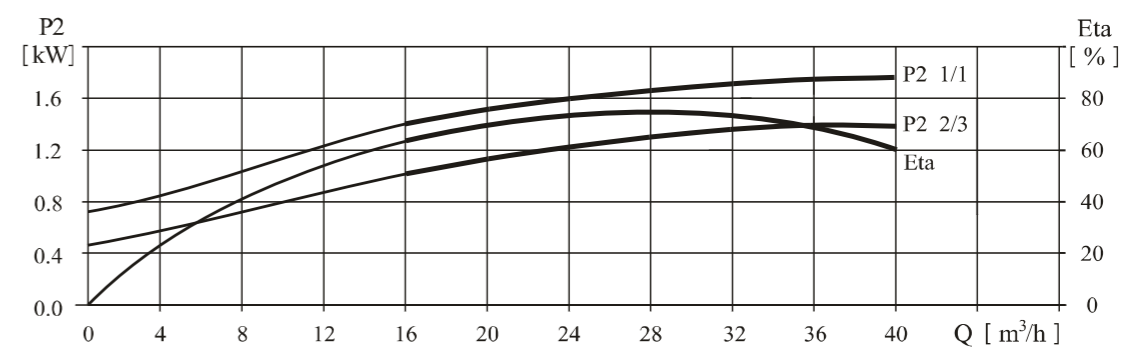
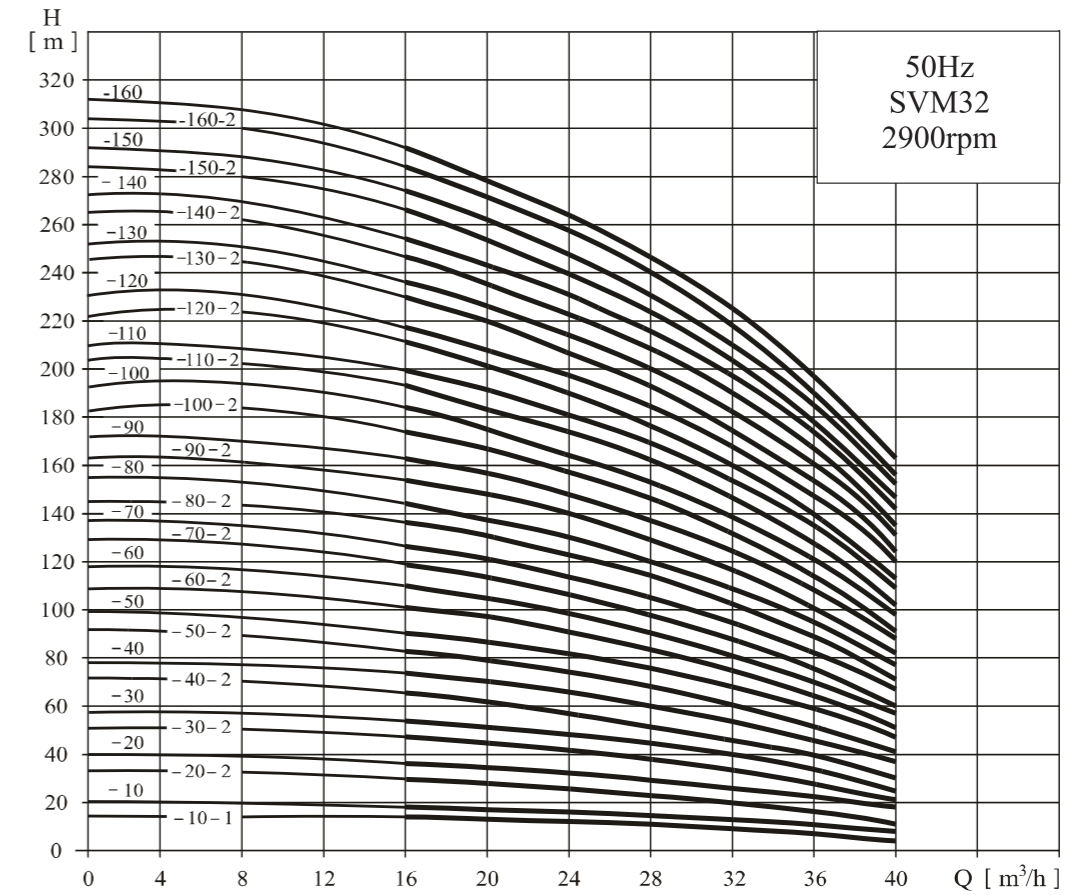
Model	Size(mm)					Weight (kg)
	B1	B2	B1+B2	D1	D2	
SVM32-10-1/SVM32-10	505	290	795	190	155	64/68
SVM32-20-2/SVM32-20	575	345/355	920/930	197/230	165/180	77/85
SVM32-30-2/SVM32-30	645	390	1035	260	208	100
SVM32-40-2/SVM32-40	715	390	1105	260	208	109
SVM32-50-2/SVM32-50	785	390	1175	260	208	125
SVM32-60-2/SVM32-60	960	500	1460	330	255	185
SVM32-70-2/SVM32-70	1030	500	1530	330	255	199
SVM32-80-2/SVM32-80	1100	500	1600	330	255	203
SVM32-90-2/SVM32-90	1170	550	1720	330	255	222
SVM32-100-2/SVM32-100	1240	550	1790	330	255	227
SVM32-110-2/SVM32-110	1310	575	1885	360	285	272
SVM32-120-2/SVM32-120	1380	575	1955	360	285	276
SVM32-130-2/SVM32-130	1450	575	2025	360	285	293
SVM32-140-2/SVM32-140	1520	575/650	2095/2170	360/400	285/310	298/341
SVM32-150-2/SVM32-150	1590	650	2240	400	310	345
SVM32-160-2/SVM32-160	1660	650	2310	400	310	350

Performance table

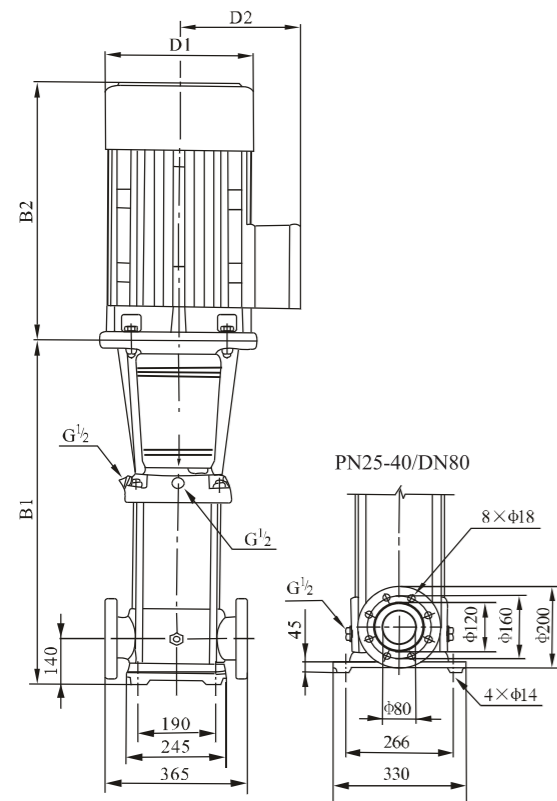
Model	Associated motor(kW)	Q (m³/h)	H (m)							Model	Associated motor(kW)	Q (m³/h)	H (m)						
			16	20	24	28	32	36	40				16	20	24	28	32	36	40
SVM32-10-1	1.5		14	13	12	11	9	7	4	SVM32-90-2	18.5	154	148	140	129	117	102	82	
SVM32-10	2.2		18	17	15	14	13	11	8	SVM32-90	18.5	162	156	147	136	124	109	88	
SVM32-20-2	3.0		29	28	26	23	20	16	11	SVM32-100-2	18.5	175	166	157	146	131	115	91	
SVM32-20	4.0		36	34	32	29	27	23	18	SVM32-100	18.5	182	173	164	152	138	122	98	
SVM32-30-2	5.5		47	44	41	38	33	28	21	SVM32-110-2	22	193	184	173	164	146	128	102	
SVM32-30	5.5		54	51	48	44	40	35	27	SVM32-110	22	200	191	180	168	153	135	109	
SVM32-40-2	7.5		65	62	58	53	46	40	30	SVM32-120-2	22	211	201	189	178	160	140	113	
SVM32-40	7.5		72	69	65	59	53	47	37	SVM32-120	22	218	208	196	184	167	147	120	
SVM32-50-2	11		83	79	74	68	60	52	41	SVM32-130-2	30	230	218	206	193	174	153	124	
SVM32-50	11		90	86	81	74	67	59	47	SVM32-130	30	237	225	213	200	181	160	131	
SVM32-60-2	11		101	97	90	83	74	65	51	SVM32-140-2	30	247	235	222	210	189	165	135	
SVM32-60	11		108	104	97	90	81	72	57	SVM32-140	30	255	242	229	216	196	172	142	
SVM32-70-2	15		119	114	107	98	88	78	60	SVM32-150-2	30	266	253	239	224	203	178	145	
SVM32-70	15		126	121	113	105	95	85	67	SVM32-150	30	274	260	246	231	210	185	152	
SVM32-80-2	15		136	131	123	114	102	90	71	SVM32-160-2	30	284	270	255	240	218	190	156	
SVM32-80	15		144	138	130	120	109	97	77	SVM32-160	30	292	277	262	246	225	197	163	

Size and appearance of Single phase motors, explosion-proof motor are different, please contact our company.

Performance Curves



Installation drawing



Size & Weight

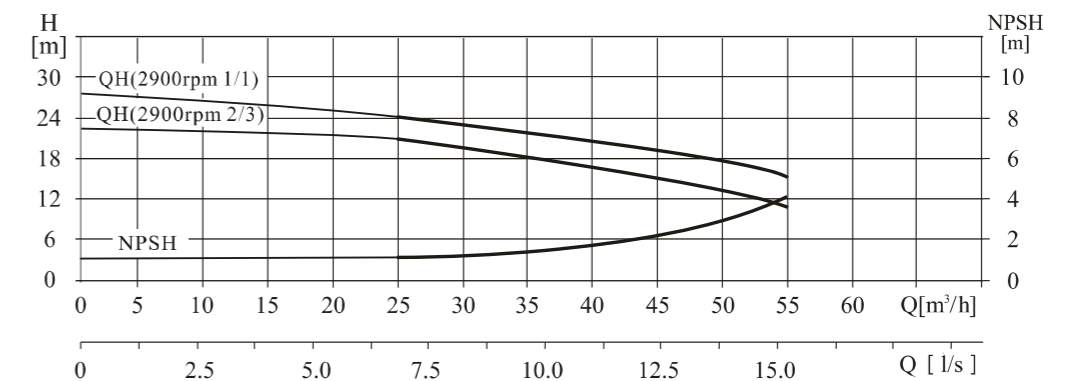
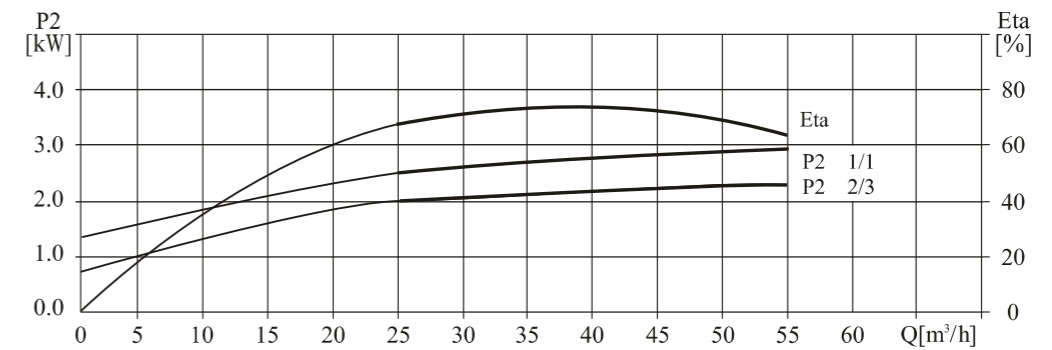
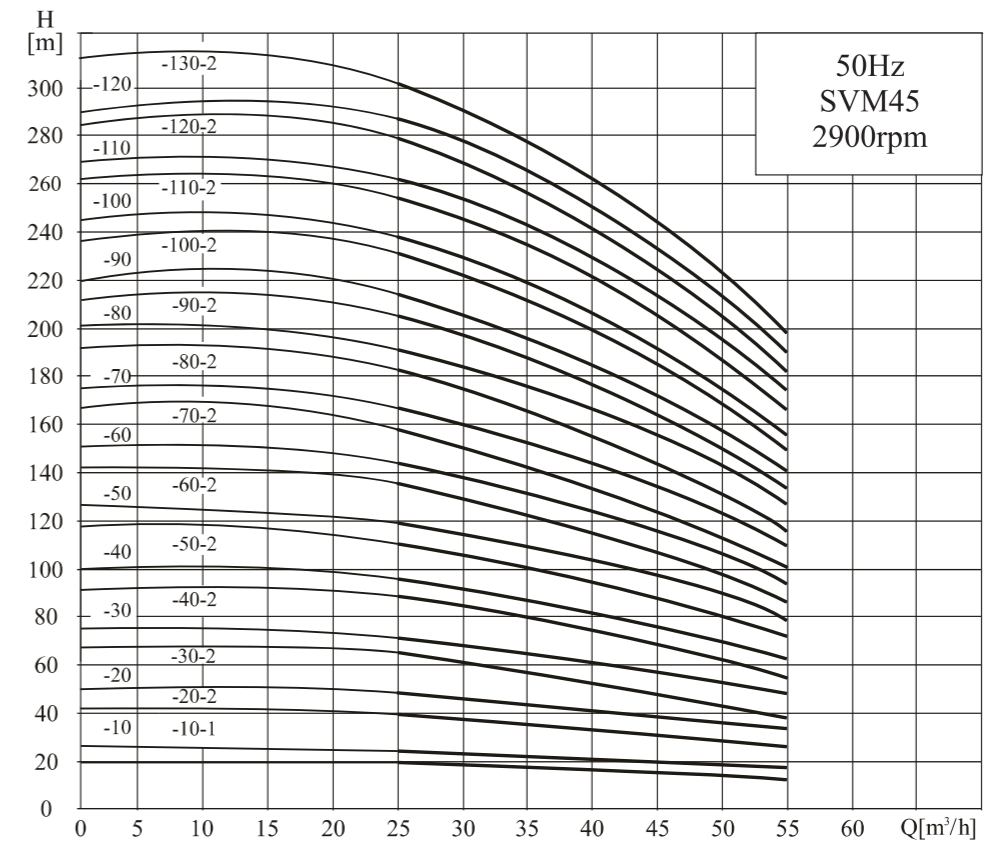
Model	Size(mm)					Weight (kg)
	B1	B2	B1+B2	D1	D2	
SVM45-10-1	561	345/355	906/916	197/230	165/188	83/90
SVM45-10						
SVM45-20-2	641	390	1031	260	208	105/110
SVM45-20						
SVM45-30-2	721/826	390/500	1111/1326	260/330	208/255	127/183
SVM45-30						
SVM45-40-2	906	500	1406	330	255	197
SVM45-40						
SVM45-50-2	986	550	1536	330	255	221
SVM45-50						
SVM45-60-2	1066	575	1641	360	285	261
SVM45-60						
SVM45-70-2	1146	575	1721	360	285	288
SVM45-70						
SVM45-80-2	1226	650	1876	400	310	324
SVM45-80						
SVM45-90-2	1306	650	1956	400	310	328/352
SVM45-90						
SVM45-100-2	1386	650	2036	400	310	355
SVM45-100						
SVM45-110-2	1466	685	2151	450	345	426
SVM45-110						
SVM45-120-2	1546	685	2231	450	345	432
SVM45-120						
SVM45-130-2	1626	685	2311	450	345	438

Performance table

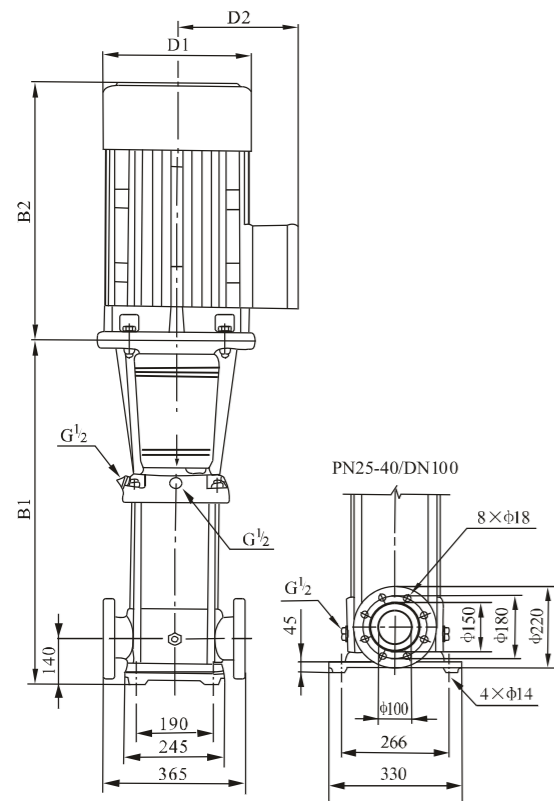
Model	Associated motor(kW)	Q (m³/h)	H (m)						
			25	30	35	40	45	50	55
SVM45-10-1	3.0	20	19	18	17	15	13	11	
SVM45-10	4.0	24	23	22	21	19	18	16	
SVM45-20-2	5.5	40	38	36	33	30	27	23	
SVM45-20	7.5	48	46	44	42	39	35	31	
SVM45-30-2	11	63	61	58	54	50	44	38	
SVM45-30	11	71	69	66	63	58	53	47	
SVM45-40-2	15	87	84	80	75	69	62	54	
SVM45-40	15	95	92	88	84	78	71	62	
SVM45-50-2	18.5	111	107	102	96	88	80	69	
SVM45-50	18.5	119	115	110	105	97	88	78	
SVM45-60-2	22	135	130	124	117	108	97	85	
SVM45-60	22	143	138	132	125	116	106	93	
SVM45-70-2	30	158	152	146	138	127	115	100	
SVM45-70	30	166	161	154	146	135	124	109	
SVM45-80-2	30	182	175	168	159	146	133	116	
SVM45-80	30	190	184	176	167	154	141	124	
SVM45-90-2	30	205	198	190	180	166	150	132	
SVM45-90	37	214	207	198	188	174	159	140	
SVM45-100-2	37	230	221	212	200	185	168	147	
SVM45-100	37	238	230	220	209	193	177	155	
SVM45-110-2	45	255	246	236	223	206	188	165	
SVM45-110	45	263	255	244	232	214	196	173	
SVM45-120-2	45	280	270	259	245	226	206	181	
SVM45-120	45	289	280	268	255	236	216	190	
SVM45-130-2	45	305	294	282	267	247	225	198	

Size and appearance of Single phase motors, explosion-proof motor are different, please contact our company.

Performance Curves



Installation drawing



Size & Weight

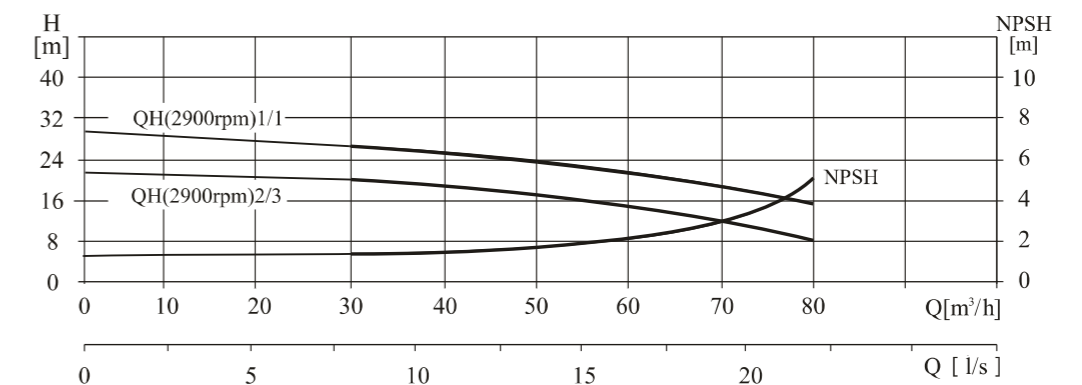
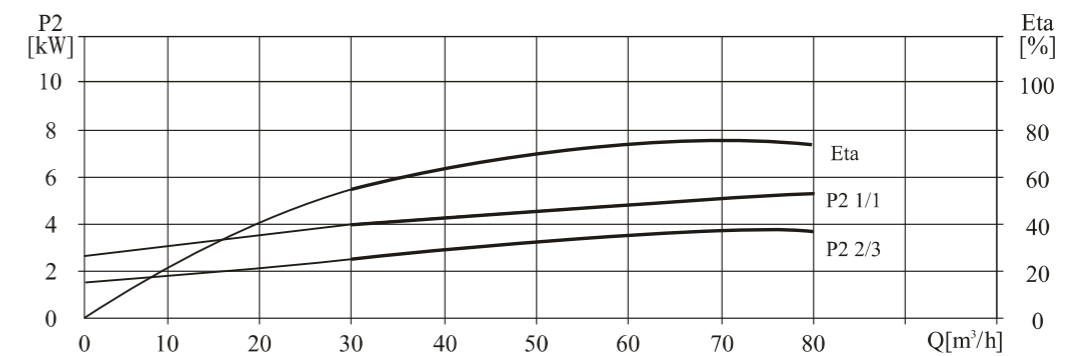
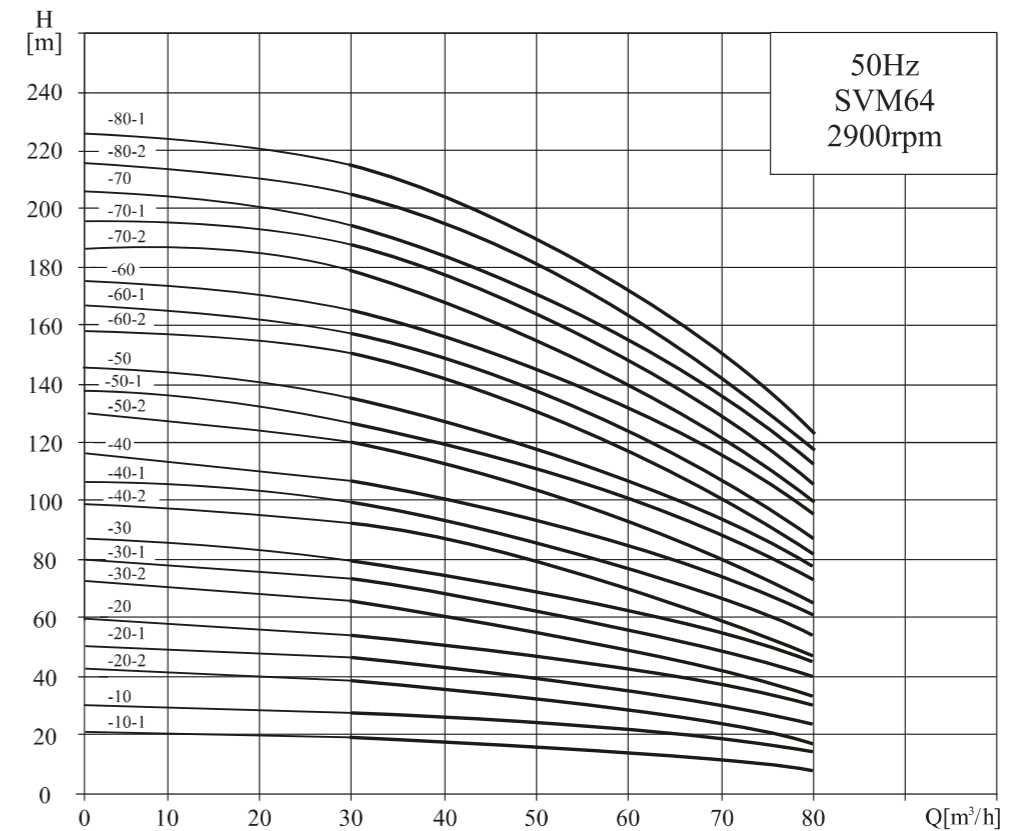
Model	Size(mm)					Weight (kg)
	B1	B2	B1+B2	D1	D2	
SVM64-10-1	561	355	916	230	188	93
SVM64-10	561	390	951	260	208	105
SVM64-20-2	644	390	1034	260	208	110
SVM64-20-1	754	500	1254	330	255	182
SVM64-20	754	500	1254	330	255	182
SVM64-30-2	836	500	1336	330	255	196
SVM64-30-1	836	500	1336	330	255	197
SVM64-30	836	550	1386	330	255	221
SVM64-40-2	919	550	1469	330	255	225
SVM64-40-1	919	575	1494	360	285	258
SVM64-40	919	575	1494	360	285	258
SVM64-50-2	1001	575	1576	360	285	276
SVM64-50-1	1001	575	1576	360	285	276
SVM64-50	1001	650	1651	400	310	320
SVM64-60-2	1084	650	1734	400	310	325
SVM64-60-1	1084	650	1734	400	310	349
SVM64-60	1084	650	1734	400	310	349
SVM64-70-2	1166	650	1816	400	310	353
SVM64-70-1	1166	650	1816	400	310	353
SVM64-70	1166	685	1851	460	340	420
SVM64-80-2	1248	685	1933	460	340	424
SVM64-80-1	1248	685	1933	460	340	424

Performance table

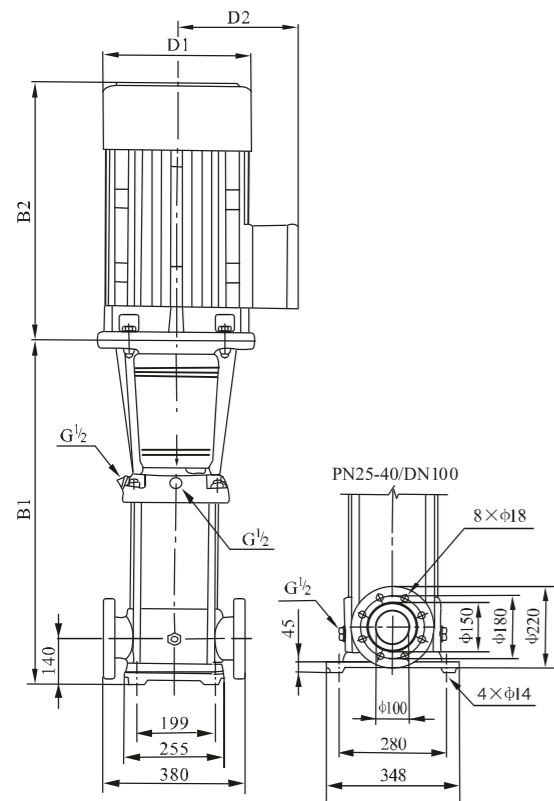
Model	Associated motor(kW)	Q (m³/h)	H (m)						
			30	40	50	60	64	70	80
SVM64-10-1	4.0	19	18	16	14	13	11	8	
SVM64-10	5.5	27	25	23	21	20	18	15	
SVM64-20-2	7.5	39	36	33	29	27	23	17	
SVM64-20-1	11	46	44	40	36	34	30	24	
SVM64-20	11	53	51	47	43	41	37	30	
SVM64-30-2	15	66	62	56	50	47	41	32	
SVM64-30-1	15	73	69	63	57	54	48	39	
SVM64-30	18.5	80	76	70	64	61	55	46	
SVM64-40-2	18.5	92	87	80	71	67	60	47	
SVM64-40-1	22	100	94	87	78	74	67	54	
SVM64-40	22	107	101	94	85	81	74	61	
SVM64-50-2	30	121	114	105	95	89	80	64	
SVM64-50-1	30	128	121	112	102	96	87	71	
SVM64-50	30	136	129	119	109	103	94	78	
SVM64-60-2	30	150	142	131	118	111	101	81	
SVM64-60-1	37	157	149	138	125	118	108	88	
SVM64-60	37	164	156	145	132	125	115	95	
SVM64-70-2	37	179	169	156	141	133	121	99	
SVM64-70-1	37	186	176	163	148	141	128	106	
SVM64-70	45	193	183	170	155	148	135	112	
SVM64-80-2	45	207	196	182	164	156	142	116	
SVM64-80-1	45	215	203	189	171	163	149	123	

Size and appearance of Single phase motors, explosion-proof motor are different, please contact our company.

Performance Curves



Installation drawing



Size & Weight

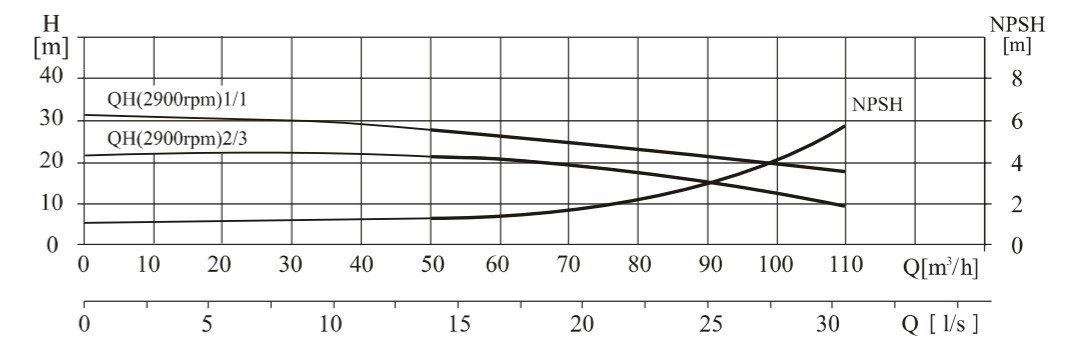
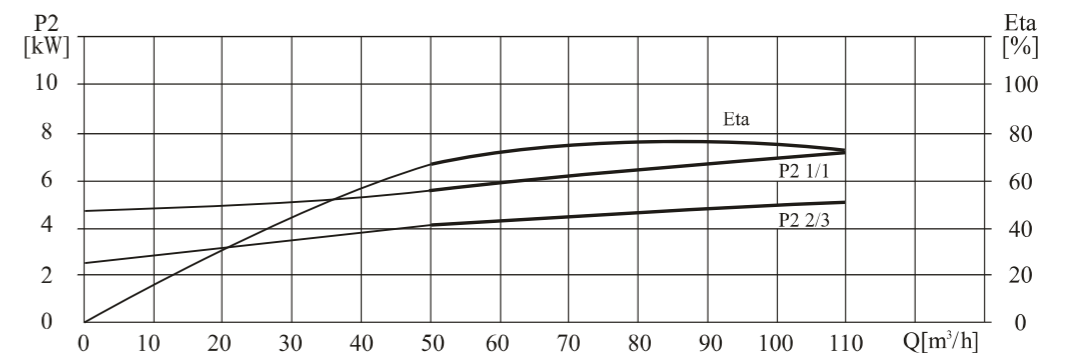
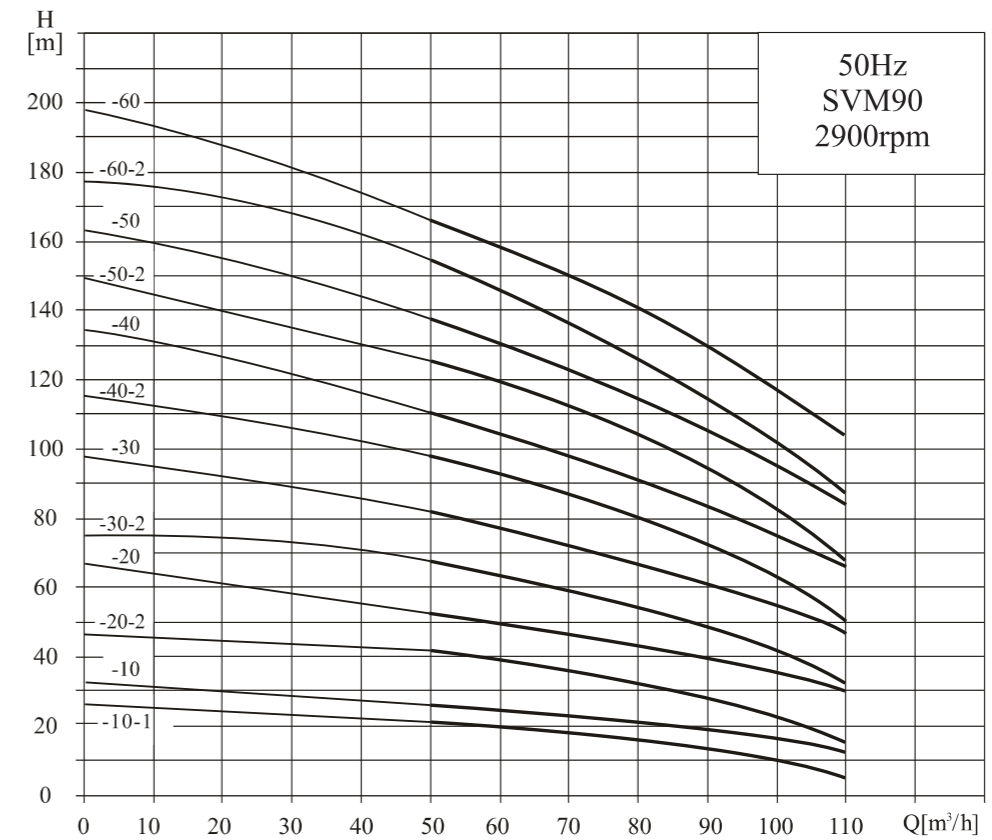
Model	Size(mm)					Weight (kg)
	B1	B2	B1+B2	D1	D2	
SVM90-10-1	571	390	961	260	208	105
SVM90-10	571	390	961	260	208	110
SVM90-20-2	773	500	1273	330	255	181
SVM90-20	773	500	1273	330	255	192
SVM90-30-2	865	550	1415	330	255	215
SVM90-30	865	575	1440	360	285	252
SVM90-40-2	957	575	1532	360	285	271
SVM90-40	957	650	1607	400	310	312
SVM90-50-2	1049	650	1699	400	310	336
SVM90-50	1049	650	1699	400	310	336
SVM90-60-2	1141	685	1826	460	340	407
SVM90-60	1141	685	1826	460	340	407

Performance table

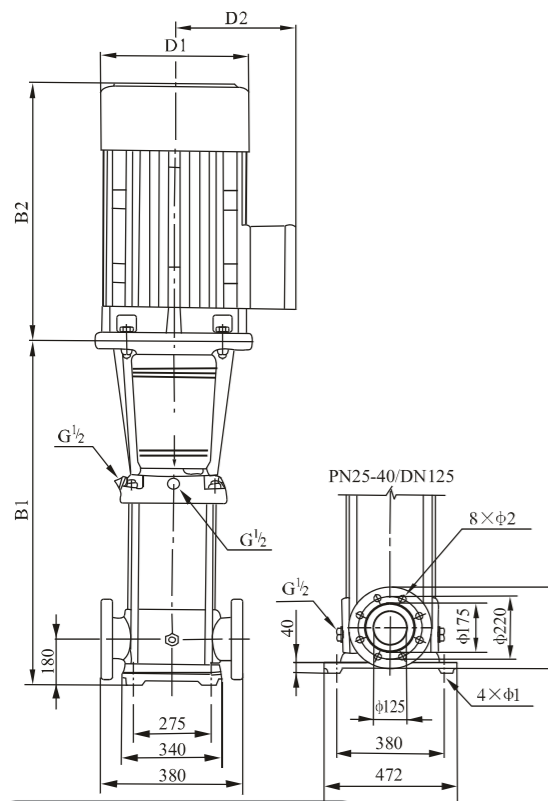
Model	Associated motor(kW)	Q (m³/h)	H (m)						
			50	60	70	80	90	100	110
SVM90-10-1	5.5	H (m)	22	19	17	16	13	10	6
SVM90-10	7.5		25	24	22	21	19	16	12
SVM90-20-2	11		41	39	36	32	28	22	15
SVM90-20	15		53	50	47	44	40	36	30
SVM90-30-2	18.5		68	65	60	55	49	41	32
SVM90-30	22		81	77	72	67	62	55	48
SVM90-40-2	30		98	93	87	80	72	62	50
SVM90-40	30		110	105	100	92	84	76	66
SVM90-50-2	37		126	120	113	104	93	81	68
SVM90-50	37		139	131	124	115	106	94	83
SVM90-60-2	45	155	148	139	129	117	102	86	
SVM90-60	45	168	160	150	141	130	117	103	

Size and appearance of Single phase motors, explosion-proof motor are different, please contact our company.

Performance Curves



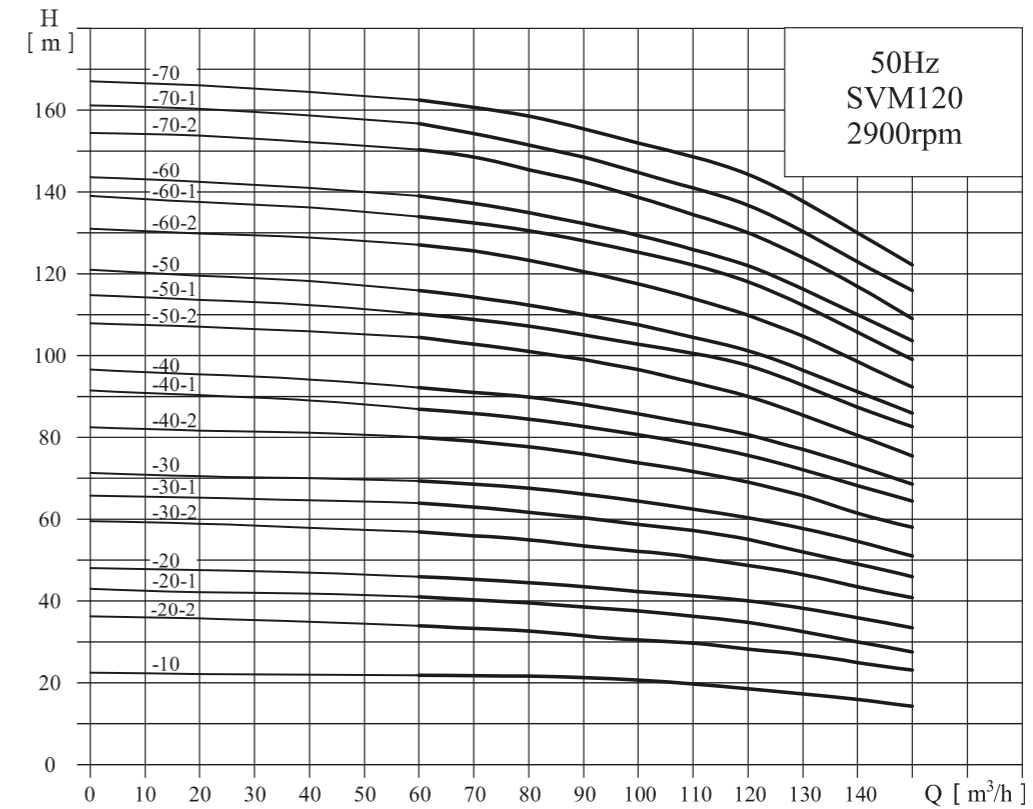
Installation drawing



Size & Weight

Model	Size (mm)					Weight (kg)
	B1	B2	B1+B2	D1	D2	
SVM120-10	840	500	1340	330	255	230
SVM120-20-2	1000	500	1500	330	255	245
SVM120-20-1	1000	550	1550	330	255	250
SVM120-20	1000	575	1575	360	285	285
SVM120-30-2	1160	575	1735	360	285	326
SVM120-30-1	1160	650	1810	400	310	360
SVM120-30	1160	650	1810	400	310	360
SVM120-40-2	1320	650	1970	400	310	400
SVM120-40-1	1320	650	1970	400	310	400
SVM120-40	1320	685	2005	460	340	460
SVM120-50-2	1480	685	2165	460	340	470
SVM120-50-1	1480	685	2165	460	340	470
SVM120-50	1510	760	2270	540	370	575
SVM120-60-2	1670	760	2430	540	370	585
SVM120-60-1	1670	760	2430	540	370	585
SVM120-60	1830	845	2515	580	410	705
SVM120-70-2	1830	845	2675	580	410	715
SVM120-70-1	1830	845	2675	580	410	715
SVM120-70	1830	845	2675	580	410	715

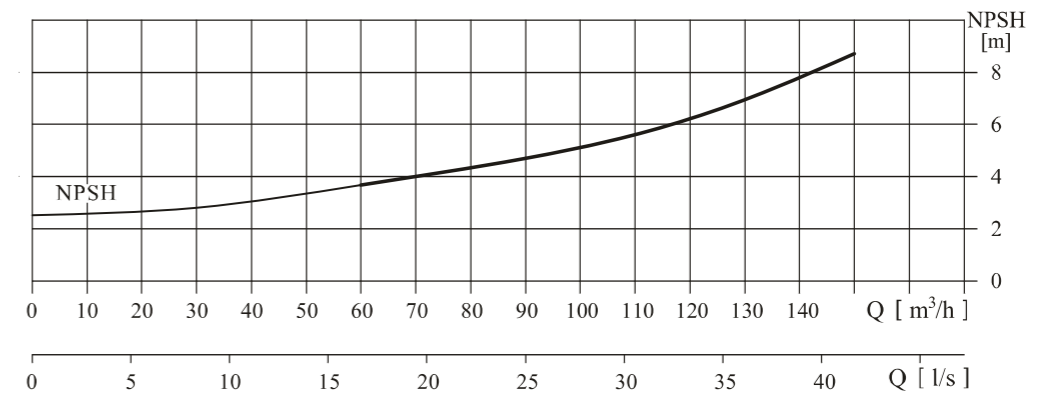
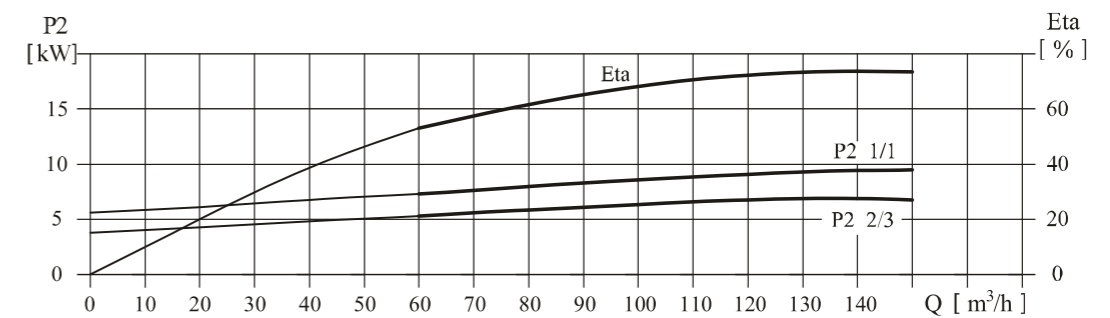
Performance Curves



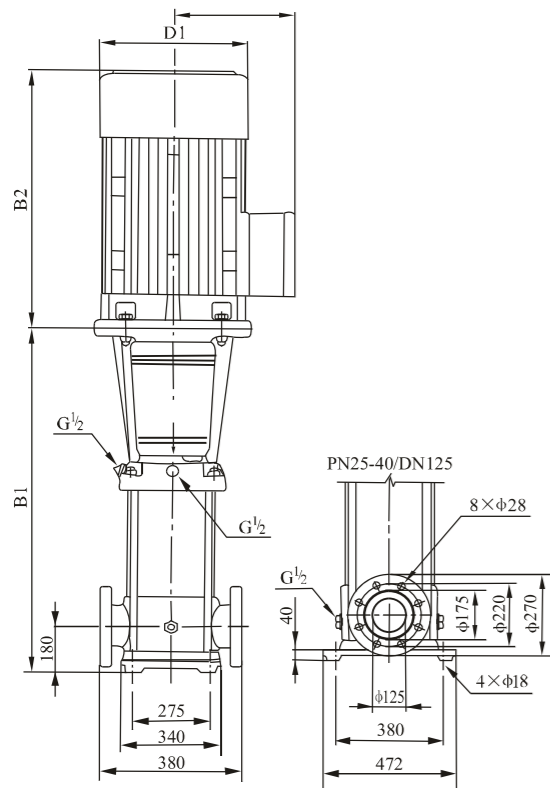
Performance table

Model	Associated motor(kW)	Q (m³/h)	H (m)											
			60	70	80	90	100	110	120	130	140	150		
SVM120-10	11		22	21.8	21.6	21	20.5	19.5	18.5	17	16	15		
SVM120-20-2	15		34	33.6	33	31	30.2	30	28.5	27	25	24		
SVM120-20-1	18.5		41	40	39.5	38.5	37	36.5	34.5	32.5	30	27.5		
SVM120-20	22		46	45	44.5	43.5	42.4	41	40	38	36	33.5		
SVM120-30-2	30		57	56	55	53.5	52	51	49	46.5	43.5	41		
SVM120-30-1	30		64	63	62	60	58.5	57.5	55.5	52	49	46		
SVM120-30	30		69.5	68.5	67.5	66	64.4	62.5	61	57.5	54.5	51		
SVM120-40-2	37		80.5	79	78	76	73.5	72	69	66	61.5	58		
SVM120-40-1	37		87	86	84.5	82	80	78	76	72	68	64.5		
SVM120-40	45		92.5	91	90	88	85.5	83	81	77	73	68.5		
SVM120-50-2	45		104.5	103	101	99	96	93	90	85.5	80.5	75.5		
SVM120-50-1	45		110.5	109	107.5	105	102	100	97	92	86.5	83		
SVM120-50	55		115.5	114	113	110	107.5	104.5	101.5	96	91	86		
SVM120-60-2	55		128	125.5	123	121	117.3	113.5	110	104.5	98.5	92.5		
SVM120-60-1	55		134	132	130.5	127	124	121	118	111	105	100		
SVM120-60	75		139	137	135	132	128.8	126	123	116	110	104		
SVM120-70-2	75		151	148	145.5	143	138.6	134	130	123.5	116.5	109		
SVM120-70-1	75		156.5	154	152	148.5	144.5	141	137.5	130	123	116.5		
SVM120-70	75		162.5	160.5	158.5	155	151	148	145	137	129	123		

Size and appearance of Single phase motors, explosion-proof motor are different, please contact our company.



Installation drawing



Size & Weight

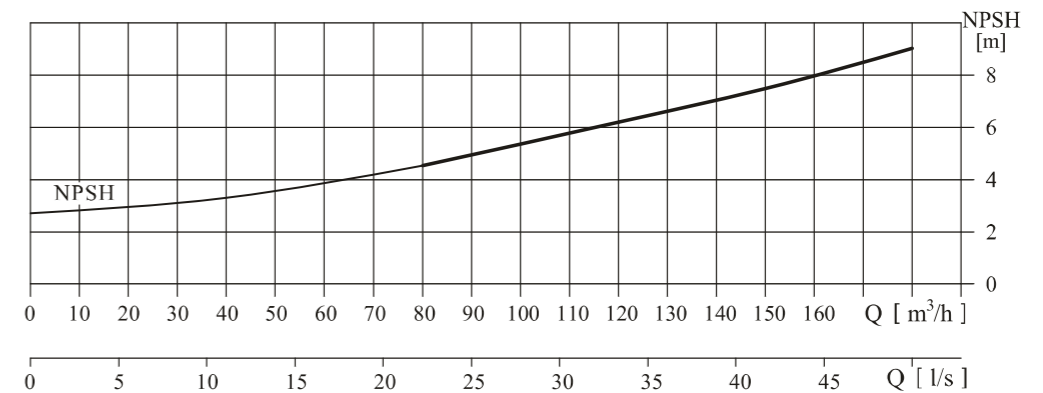
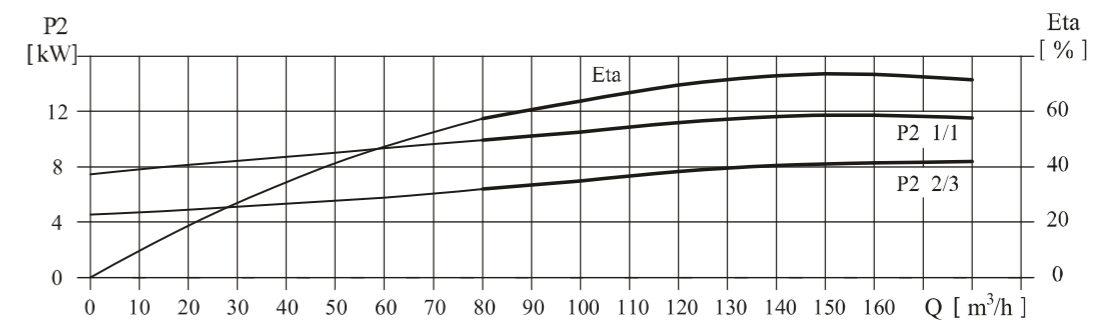
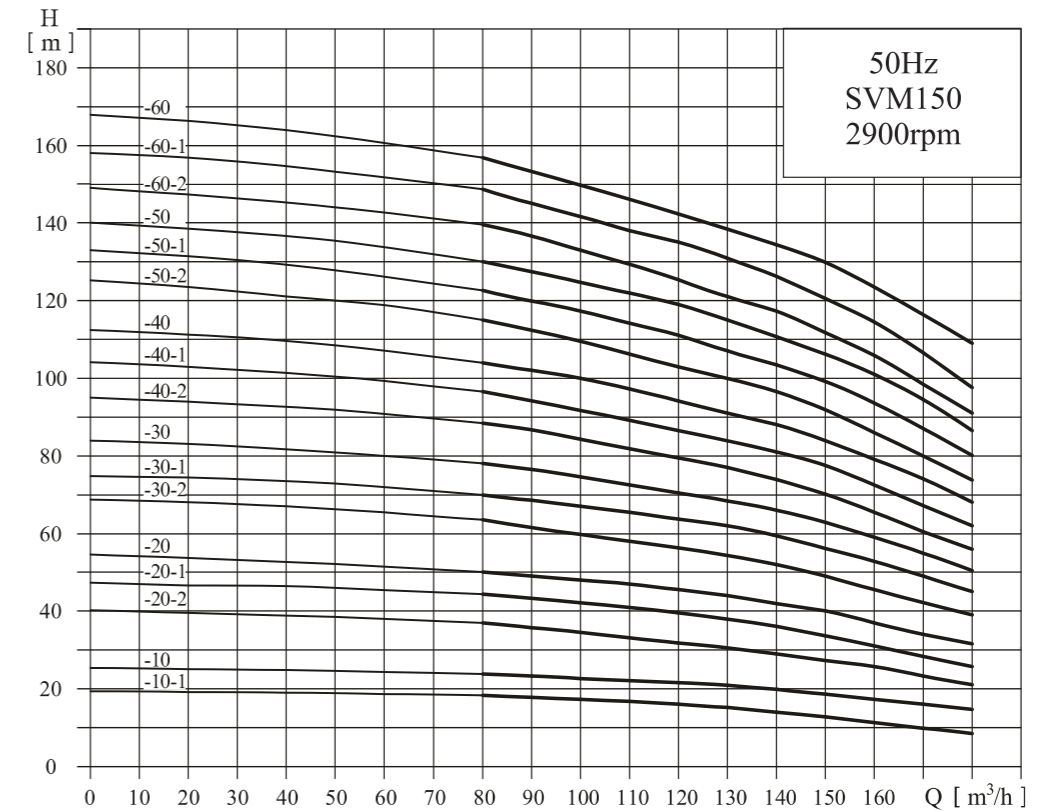
Model	Size(mm)					Weight (kg)
	B1	B2	B1+B2	D1	D2	
SVM150-10-1	840	500	1340	330	255	230
SVM150-10	840	500	1340	330	255	235
SVM150-20-2	1000	550	1550	330	255	250
SVM150-20-1	1000	575	1575	360	285	295
SVM150-20	1000	575	1575	360	285	317
SVM150-30-2	1160	650	1810	400	310	360
SVM150-30-1	1160	650	1810	400	310	360
SVM150-30	1160	650	1810	400	310	385
SVM150-40-2	1320	685	2005	460	340	460
SVM150-40-1	1320	685	2005	460	340	460
SVM150-40	1350	760	2110	540	370	560
SVM150-50-2	1510	760	2270	540	370	570
SVM150-50-1	1510	845	2355	580	410	690
SVM150-50	1510	845	2355	580	410	690
SVM150-60-2	1670	845	2515	580	410	700
SVM150-60-1	1670	845	2515	580	410	700
SVM150-60	1670	845	2515	580	410	700

Performance table

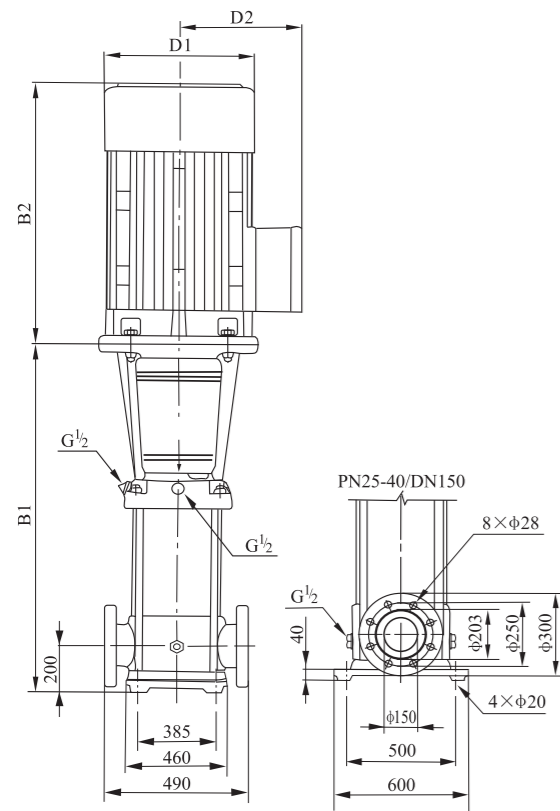
Model	Associated motor(kW)	Q (m³/h)	H (m)											
			80	90	100	110	120	130	140	150	160	170	180	
SVM150-10-1	11		18.3	17.8	17.3	17	16	15	14	12.5	11	10	8.5	
SVM150-10	15		24	23	22.5	22	21.5	20.5	20	18.5	17	16	15	
SVM150-20-2	18.5		37	35.5	34	33	32	31	29	27.5	26	23	21	
SVM150-20-1	22		44.3	43	42	40	39	38.5	37.5	35	33	30	27	
SVM150-20	30		50	49	48	47	45.5	44	42	40	37	34	32	
SVM150-30-2	30		63.5	61	59	57.5	56	54.5	53	49	45.5	42	39	
SVM150-30-1	37		70	68	67	65	63	62	60	56	53	49	45	
SVM150-30	37		78	76.5	75	73	70.5	68	66	63	59	55	50.5	
SVM150-40-2	45		89	87	84	81.5	79	77	74.5	70.5	65.5	60	56	
SVM150-40-1	45		96.5	94	91.5	89	86.5	84	81.5	77	72.5	67	62	
SVM150-40	55		104	102	100	97	95	91	88	84	79.5	74	68	
SVM150-50-2	55		115.5	112	109	106	102.5	100	97	92	86	79	73.5	
SVM150-50-1	75		122.5	119.5	117	113.5	111.5	107.5	104.5	99	93.5	87	80	
SVM150-50	75		130	127.5	125	121	119	115	111.5	106.5	101	94.5	86.5	
SVM150-60-2	75		140	137	133	130	126	121	118	112	106	98	91	
SVM150-60-1	75		148.5	145	141.7	137.5	135	131	127	120.5	114.5	106.5	97.5	
SVM150-60	75		157	153	149	145	142	139.5	137	130	123.5	116	109	

Size and appearance of Single phase motors, explosion-proof motor are different, please contact our company.

Performance Curves



Installation drawing



Size & Weight

Model	Size(mm)					Weight (kg)
	B1	B2	B1+B2	D1	D2	
SVM200-10-B	907	550	1457	330	255	311
SVM200-10-A	907	575	1482	360	285	347
SVM200-10	907	650	1557	400	310	403
SVM200-20-2B	1101	650	1751	400	310	447
SVM200-20-2A	1101	685	1786	460	340	504
SVM200-20-A	1131	760	1891	540	370	595
SVM200-20	1131	760	1891	540	370	595
SVM200-30-2B	1325	845	2170	580	410	748
SVM200-30-A-B	1325	845	2170	580	410	748
SVM200-30-2A	1325	845	2170	580	410	748
SVM200-30-B	1325	845	2170	580	410	748
SVM200-30-A	1325	845	2170	580	410	748
SVM200-30	1325	895	2220	580	410	817
SVM200-40-2B	1519	895	2414	580	410	830
SVM200-40-2A	1519	1140	2659	645	550	1180
SVM200-40-A	1519	1140	2659	645	550	1180
SVM200-40	1519	1140	2659	645	550	1180

Performance table

Model	Associated motor(kW)	Q (m³/h)	H (m)																	
			100	120	140	160	180	200	220	240										
SVM200-10-B	18.5		25.5	25	24	23	21.5	20	18	15.5										
SVM200-10-A	22		29	28.5	27.5	26.5	25.5	24	22	20										
SVM200-10	30		38.5	38	37.5	36.5	35	34	32.5	30										
SVM200-20-2B	37		53	51	49	47	44	41	37	32										
SVM200-20-2A	45		59.5	58	56	54	52.5	49	44.5	40.5										
SVM200-20-A	55		69	68	66	64	62	59	55.5	51										
SVM200-20	55		78.5	77.5	76	74	71.5	69	66	61.5										
SVM200-30-2B	75		91.5	89	86.5	83.5	79	75	70	63										
SVM200-30-A-B	75		95	93	90	87	83.5	79	73.5	67										
SVM200-30-2A	75		99.5	97.5	94.5	91.5	89	84	78.5	72										
SVM200-30-B	75		104.5	102.5	100	97	93	89	84.5	77.5										
SVM200-30-A	75		108	106	103.5	100.5	97.5	93	88	81.5										
SVM200-30	90		117.5	116	113.5	110.5	107	103	99	92										
SVM200-40-2B	90		131.5	129	125.5	121	115.5	110	103.5	94										
SVM200-40-2A	110		138.5	136	132	128	124	118	111	102.5										
SVM200-40-A	110		148	145.5	142.5	138	134	128	122	113										
SVM200-40	110		157.5	155.5	152.5	148	143.5	138	132.5	123.5										

Size and appearance of Single phase motors, explosion-proof motor are different, please contact our company.

Performance Curves

