



SCHEDA TECNICA - *Technical data sheet*



Modello-Model: **MAXIVAREM LS**

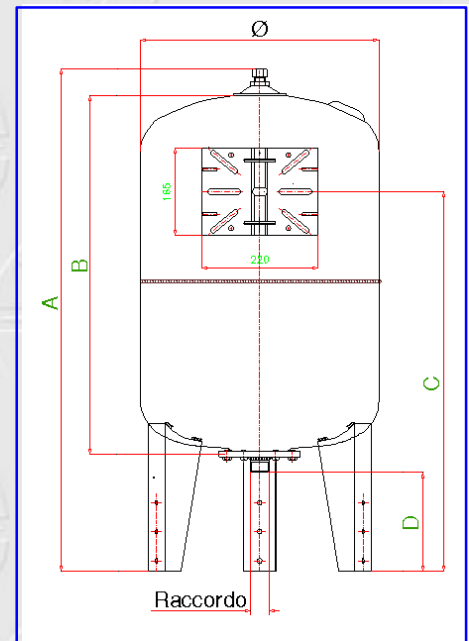
Codice-Code: **US 750 461**



Capacità Capacity	Codice Code	Press. Max bar	Raccordo Connector	Dimensioni Dimensions					Peso Weight Kg.	Imballo Packaged Volume m3	
				∅	A	B	C	D			E
750 L	<b>US 750 461</b>	10 bar	1"1/2 gas	780	1940	1585	-	230	-	190	2

Parti di ricambio - *Spare parts*

<b>Controflangia Coverflange</b>		
Codice-Code:	<b>V50500</b>	
Materiale-Material:	<b>FE</b>	
Trattamento-Treatment:	<b>Verniciata-Painted</b>	
<b>Membrana Membrane</b>		
Codice-Code:	<b>V421000</b>	
Materiale-Material:	<b>Gomma BUTILE</b>	
Trattamento-Treatment:		
<b>Controfl. Superiore Top flange</b>		
Codice-Code:	<b>V50305</b>	
Materiale-Material:	<b>FE</b>	
Trattamento-Treatment:	<b>Zincata-Galvanized</b>	
<b>Dado Nut</b>		
Codice-Code:	<b>V50880</b>	
Materiale-Material:	<b>FE</b>	
Trattamento-Treatment:	<b>Zincato-Galvanized</b>	
<b>Valvola Precarica Precharge valve</b>		
Codice-Code:	<b>V50802</b>	
Materiale-Material:	<b>Ottone - Brass</b>	



Dimensioni Scatola -  
*Dimensions box:*

**Paletta=750x620 H=2000**

