

Application

- It can be used to transfer clean water or other liquids similar to water in physical and chemical properties. It is suitable for lifting water from the well, sprinkling irrigation in garden, pressure boosting of running water, and supporting equipment etc.

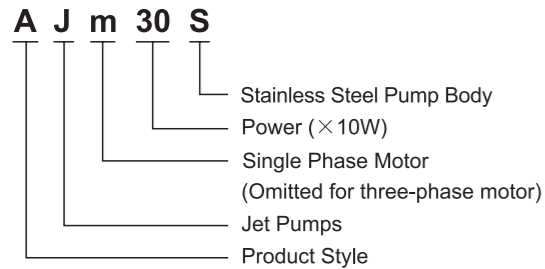
Pump

- Stainless steel pump body
- Support under special anti-rust treatment
- Stainless steel impeller
- AISI 304 shaft
- Max. liquid temperature: +40°C
- Max. suction: +9 m

Motor

- C&U bearing
- Motor with copper winding
- Built-in thermal protector for single phase motor
- Insulation class: F
- Protection class: IPX4
- Max. ambient temperature: +40°C

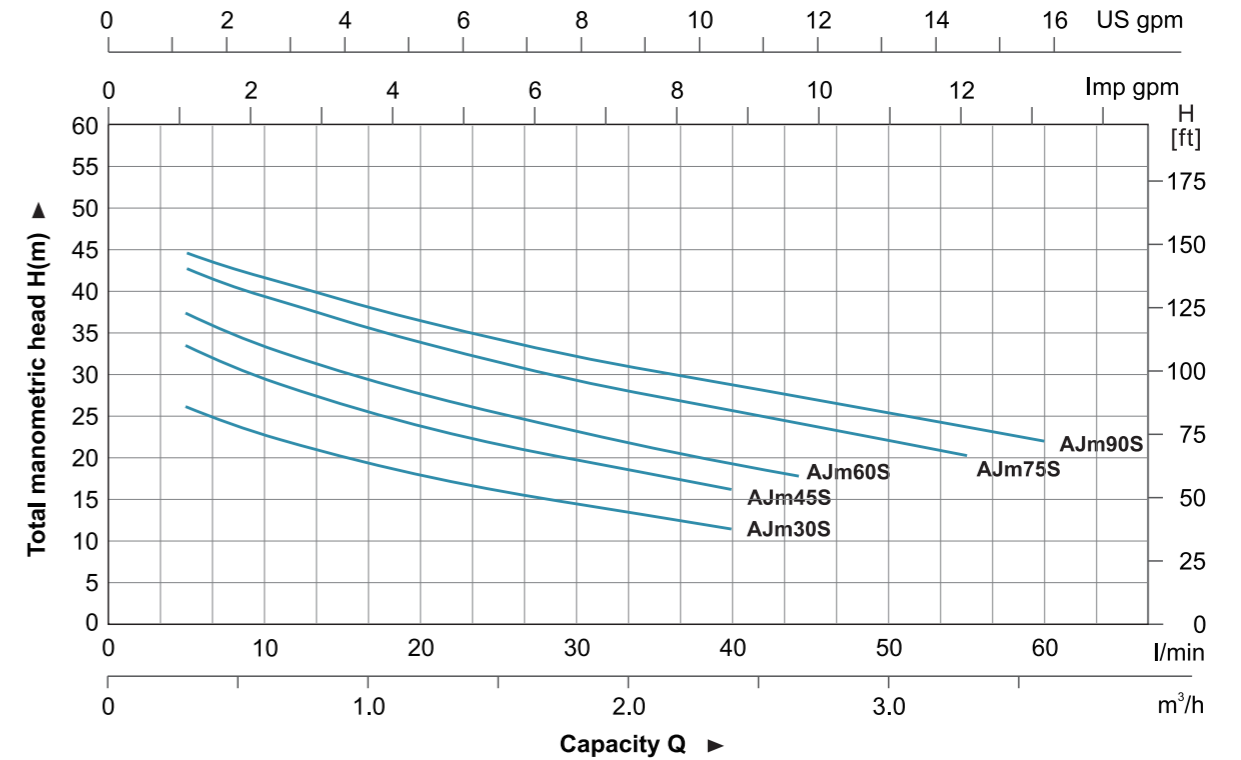
Identification Codes



Technical Data

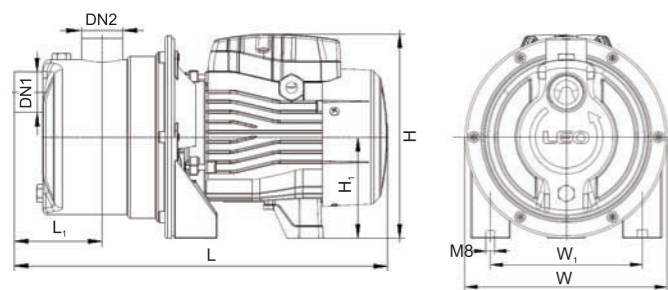
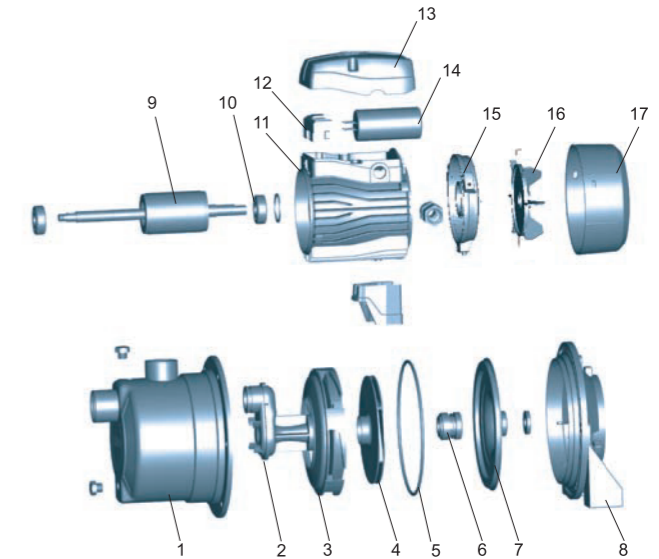
MODEL		POWER		Q (m³/h)														
Single Phase	Three Phase	kW	HP	0	0.6	0.6	0.9	1.2	1.5	1.8	2.1	2.4	2.8	3.0	3.3	3.6		
				Q (l/min)	0	5	10	15	20	25	30	35	40	47	50	55	60	
AJm30S	AJ30S	0.3	0.4	H (m)	30	26	23	20	18	16.5	15	13	11					
AJm45S	AJ45S	0.45	0.6		38	35	31	27	25	22	20	19	16					
AJm60S	AJ60S	0.6	0.8		43	37	33	30	27	25	23	21	20	18				
AJm75S	AJ75S	0.75	1.0		46	40	38	36	34	32	30	28	27	25	23	20		
AJm90S	AJ90S	0.9	1.2		48	44	42	39	37	35	34	31	31	29	28	26	22	

Hydraulic Performance Curve



Materials Table

No.	Part	Material
1	Pump body	AISI 304
2	Venturi tube	PPO
3	Diffuser	PPO
4	Impeller	AISI 304
5	O-ring	NBR
6	Mechanical seal	Carbon/ceramic
7	Bracket cover	AISI 304
8	Support	ZL102
9	Rotor	
10	Bearing	
11	Stator	
12	Terminal board	PC
13	Capacitor box	ABS
14	Capacitor	
15	End plate	ZL102
16	Fan	PP
17	Fan cover	PP



Dimension

Model	DN1	DN2	L (mm)	W (mm)	H (mm)	L ₁ (mm)	W ₁ (mm)	H ₁ (mm)
AJm30S	1"	1"	337	180	181.5	78	140	181.5
AJm45S			337	180	181.5	78	140	181.5
AJm60S			376	200	214	88.5	140	214
AJm75S			376	200	214	88.5	140	214
AJm90S			376	200	214	88.5	140	214

Package Information

Model	GW (Kgs)	L (mm)	W (mm)	H (mm)	Quantity (PCS/20 TEU)
AJm30S	6.0	350	180	220	1920
AJm45S	6.9				
AJm60S	9.2	420	228	257	1056
AJm75S	10.1				
AJm90S	10.7				