
	Product Information 50SWUm12-8-0.75L	Manufacturer	LEO
		Address	China,Zhejiang,Wenling
		Contact	0576-89988888
		Date	2022/11/09
Project Name		Client Name	Koslan
		Client Addr.	
Item NO		Contacts	luis guajardo
		Contact	

Part NO.	50SWUm12-8-0.75L
----------	------------------

Product Picture	Note
	<p>Applications:</p> <p>1 Drainage of wastewater from the attenuation tank, purifying tank and sewage tank in water treatment plant.</p> <p>2 Drainage of waste water containing fibrous additives from leather factory and food processing factory.</p> <p>3 Sewage management, accumulated water, septic tank, stock farm.</p> <p>4 Pumping sewage form hotels, restaurants, schools and public buildings.</p>

Nameplate parameters

flow	12 m ³ /h
head	8 m
Efficiency	37
speed	3000
number of stages	1

Technical

Curve tolerance	ISO 9906 Annex A
Maximum lift (m)	13
Minimum usage flow (m ³ /h)	1.2
Maximum use flow (m ³ /h)	22.5



Material

Impeller	HT200
Pump inlet	HT200
Pump shaft	06Cr19Ni10AISI304+45
Cylinder head	HT200
chassis	HT200
Upper bearing seat	HT200
Top hat	HT200
Cutting knife	/
Motor housing	HT200
Pump upper cover	HT200

Working conditions

Max. Particles Size	≤35
Max. ambient temperature (40
Max. liquid temperature (40
Pumped medium	The maximum liquid density is 1.2X10 ³ Kg/m ³
Working pressure	PN6

Installation

Coupling Model	50
Max. Immersion Depth	5
Connection standard	Soft
Pipe Diameter	50

Motor

Motor phase	Single phase
-------------	--------------



Product Information
50SWUm12-8-0.75L

Manufacturer	LEO
Address	China,Zhejiang,Wenling
Contact	0576-89988888
Date	2022/11/09
Client Name	Koslan
Client Addr.	
Contacts	luis guajardo
Contact	

Project Name

Item NO

Protection class	IP×8
Motor poles	2
Insulation class	F
Motor power (KW)	0.75KW
Frequency	50
Rated voltage (V)	220
Rated current (A)	4.97
Power factor	0.951
Drive end bearing	6203
Non-drive end bearing	6202
Efficiency (%)	65.08

Seal

Mechanical seal Double Mechanical Seal 202-14

Weight/Packaging

Gross weight (kg)	39.2
Package size	749*289*368



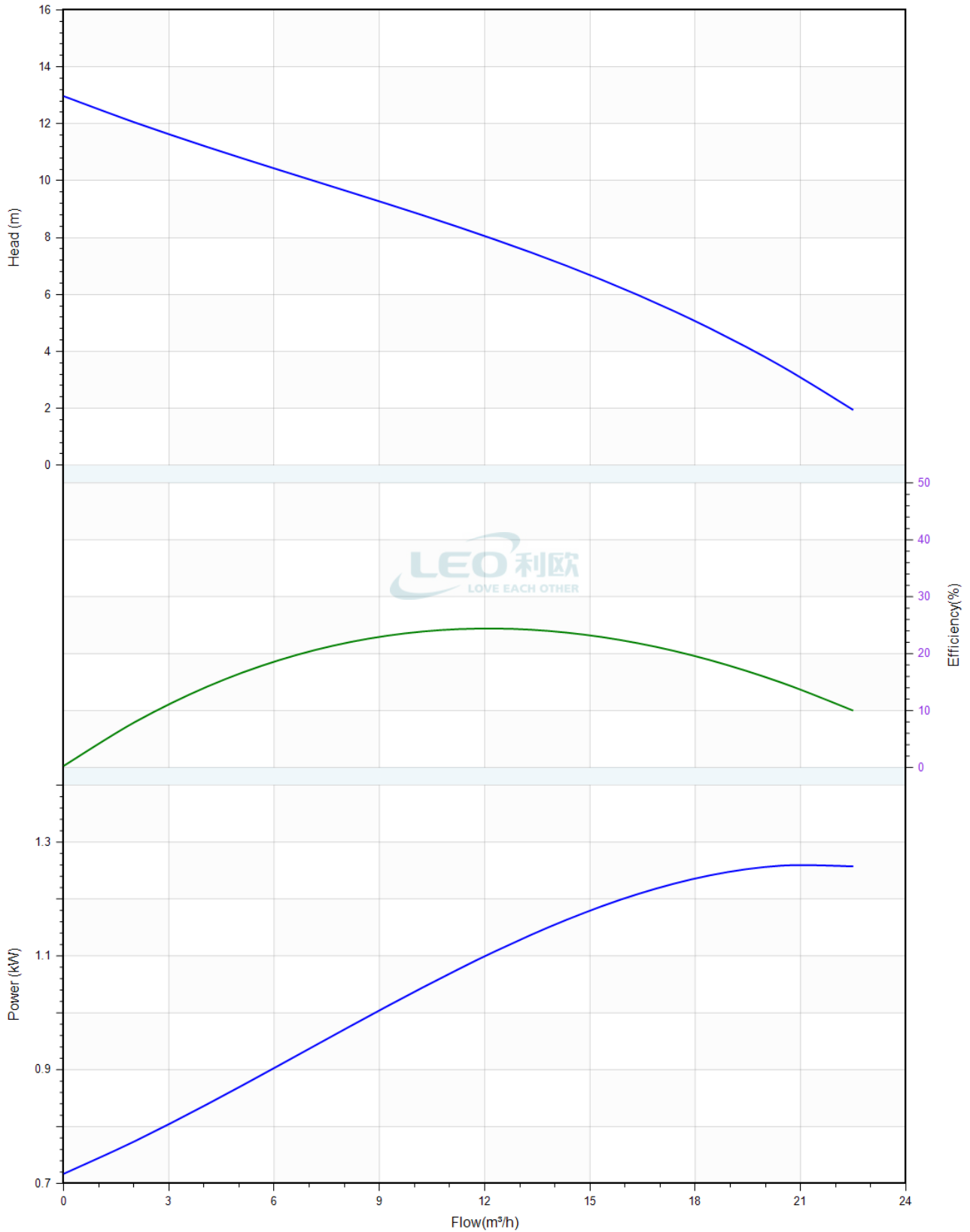


Performance Curve 50SWUm12-8-0.75L

Manufacturer	LEO
Address	China,Zhejiang,Wenling
Contact	0576-89988888
Date	2022/11/09
Client Name	Koslan
Client Addr.	
Contacts	luis guajardo
Contact	

Project Name	
Item NO	

The hydraulic performance curve have been tested with Water at $^{\circ}\text{C}$, density $1000\text{kg}/\text{m}^3$, and at 1bar atmospheric pressure. GB32162016 Grande 3B





Pump Technical Parameters

50SWUm12-8-0.75L

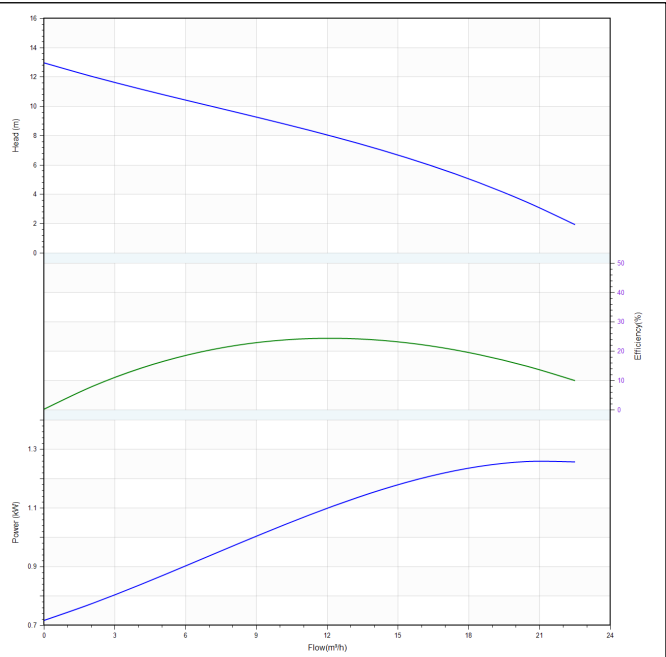
Manufacturer	LEO
Address	China,Zhejiang,Wenling
Contact	0576-89988888
Date	2022/11/09
Client Name	Koslan
Client Addr.	
Contacts	luis guajardo
Contact	


Rated parameters

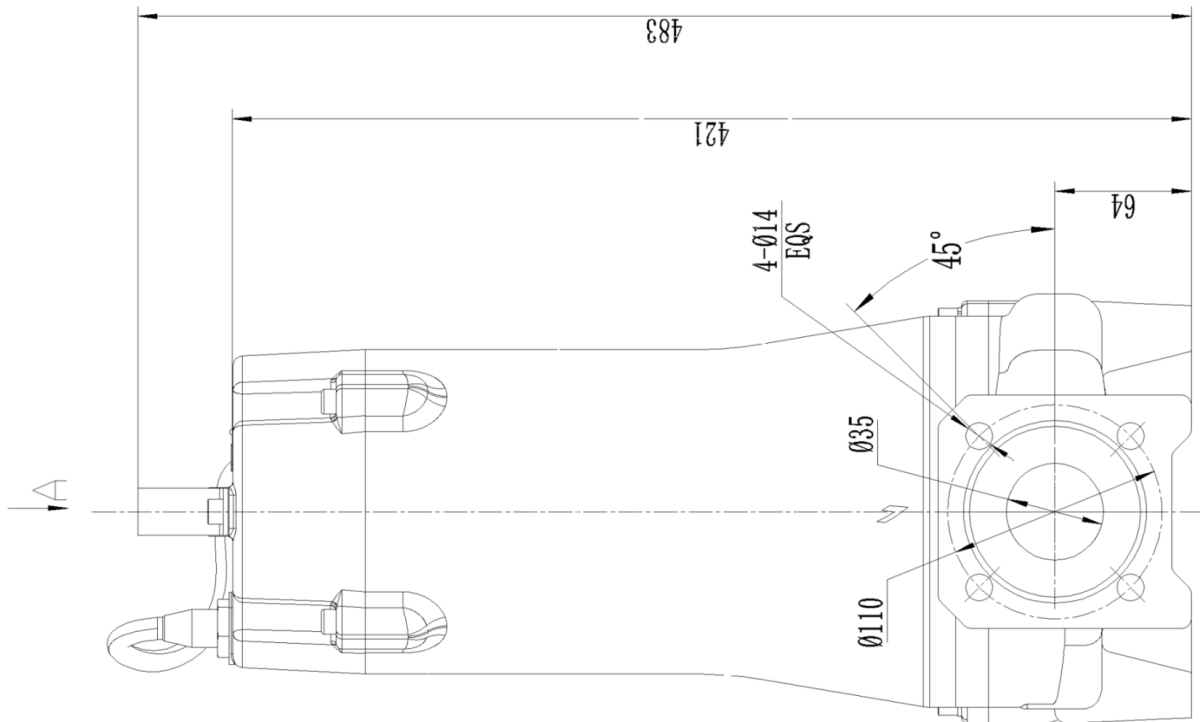
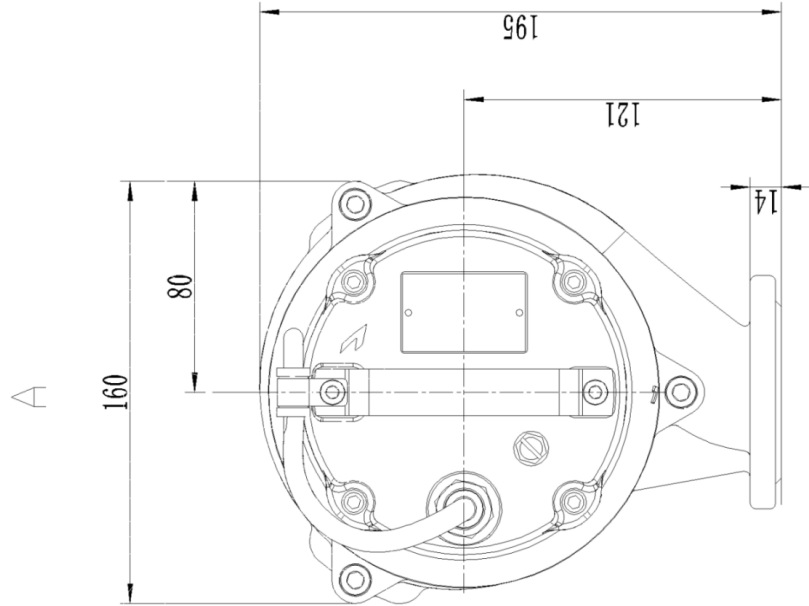
Pump model	50SWUm12-8-0.75L
Part NO.	50SWUm12-8-0.75L
Rated flow	12 m ³ /h
Rated head	8 m
Rated efficiency (%)	37
Power (kW)	0.71
Speed (rpm)	3000


Medium

Pumped medium	Water
Working temperature (°C)	20
Medium density (kg/m ³)	1000
Viscosity (mm ² /s)	1



	Installation picture 50SWUm12-8-0.75L	Manufacturer	LEO
		Address	China,Zhejiang,Wenling
		Contact	0576-89988888
		Date	2022/11/09
Project Name		Client Name	Koslan
Item NO		Client Addr.	
		Contacts	luis guajardo
		Contact	



	Physical picture 50SWUm12-8-0.75L	Manufacturer	LEO
		Address	China,Zhejiang,Wenling
		Contact	0576-89988888
		Date	2022/11/09
Project Name		Client Name	Koslan
Item NO		Client Addr.	
		Contacts	luis guajardo
		Contact	

