



Application

- HVAC: Circulation of hot water, boiler mix-flow, temperature mix-flow, intermittent heat supply, etc
- Air conditioning system: Cooling water circulation
- Water supply system: Filtration and transfer at waterworks; Pressure boosting in main pipe
- Industrial applications: Washing & cleaning systems, boiler feeding, cooling water circulation, water treatment systems, and auxiliary systems
- Fire-fighting system

Pump

- Flow: Up to 760 m³/h
- Head: Up to 85 m
- Power range: 0.37 – 132 kW
- Liquid temperature: 0°C – +90°C
- Max ambient temperature: + 40°C
- Max operation pressure: 16 bar
- Altitude: up to 1000 m

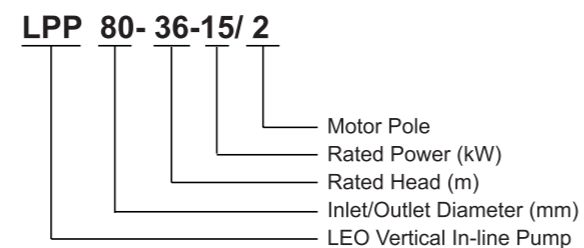
Motor

- Closed construction
- Insulation class: F
- Protection class: IP 55
- IE 2 motor as standard. IE 3 motor is available on request

Flange

- DIN flange DN 16
- DIN flange DN 18 for pumps with inlet/outlet diameter more than 200 mm

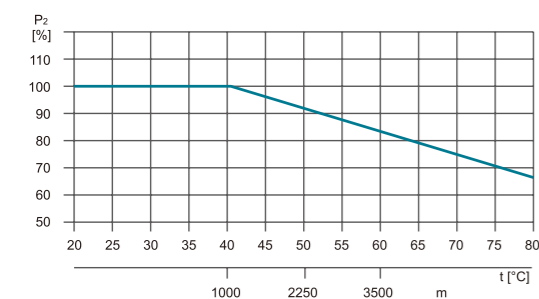
Identification Codes



Ambient Temperature

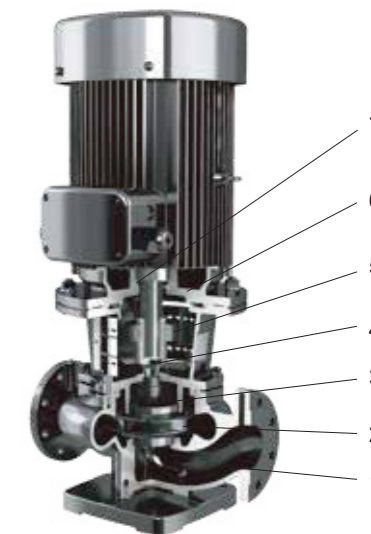
Max. Ambient temperature: +40°C. Ambient temperature above 40°C, or installation at altitude of more than 1000 m above sea level, require the use of an oversize motor. Because of low air density and poor cooling effects, the motor output power P₂ will be decreased. See the picture.

For example, when the pump is installed at altitude of more than 3500 m above sea level, P₂ will be decrease to 88%. When the ambient temperature is 70°C, P₂ will be decreased to 78%.

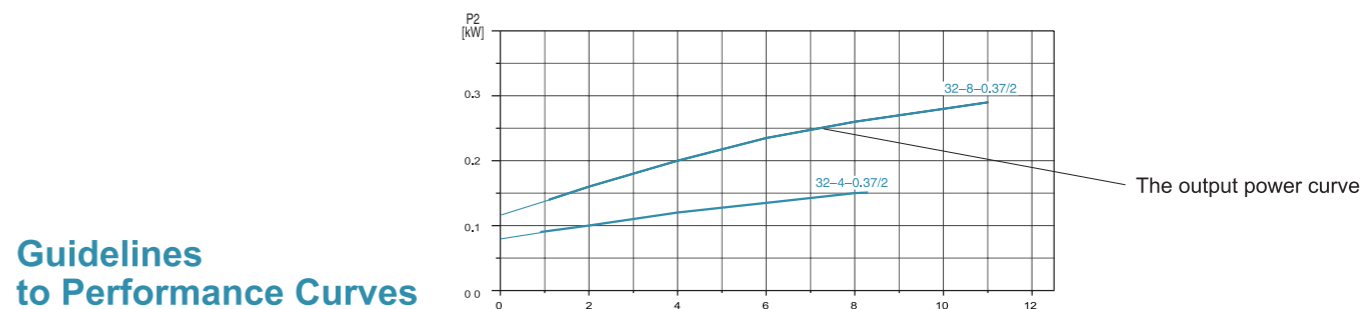
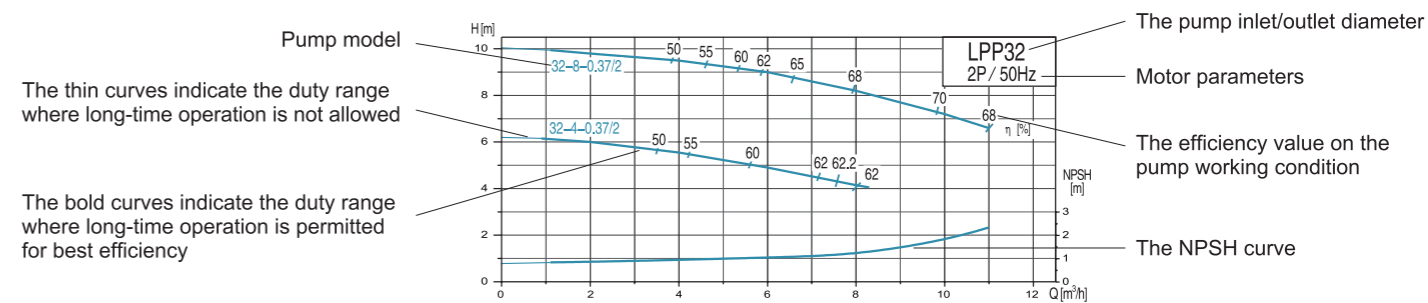


Materials Table

No.	Part	Materials
1	Pump body	Cast iron
2	Impeller	Cast iron
3	Mechanical seal	Carbon/Silicon carbide
4	Pump shaft	Steel/AISI 304
5	Clamp ring	Steel
6	Motor base	Cast iron
7	Motor	-



How To Read The Curve Charts



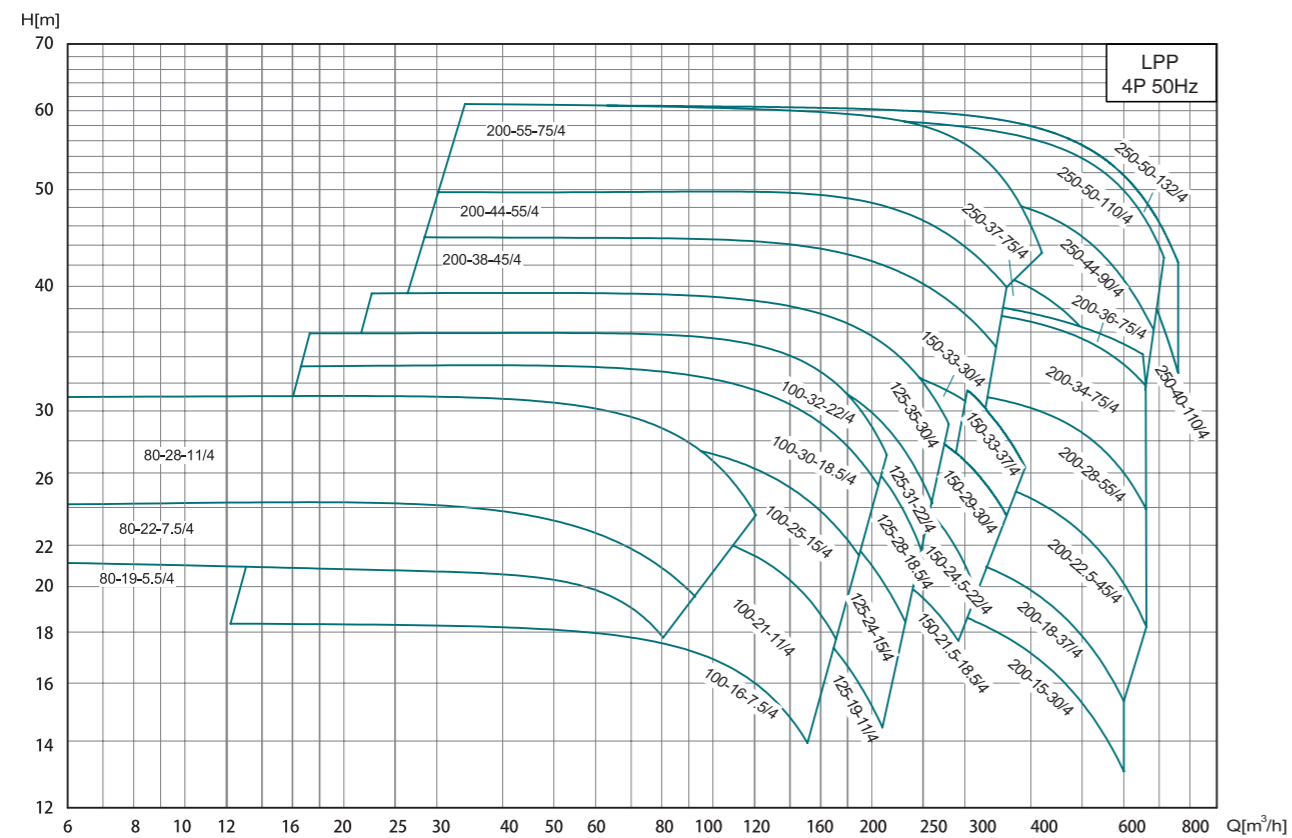
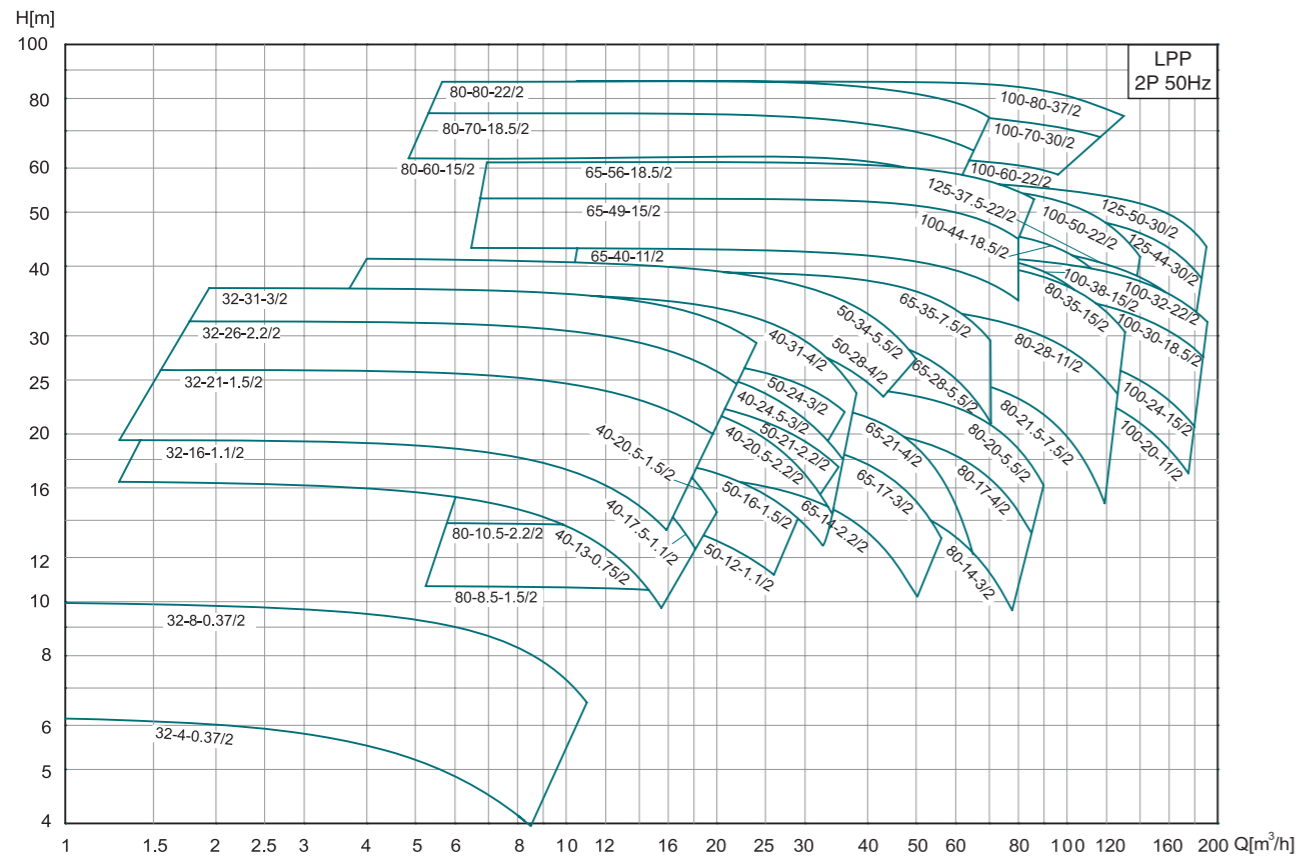
Guidelines to Performance Curves

Tolerances to ISO 9906, Annex A. Measurements have been made with airless water at a temperature of 20°C and kinematic viscosity of 1mm²/s. To avoid overheating of the motor, the pump should not be use against a high head for a long time.

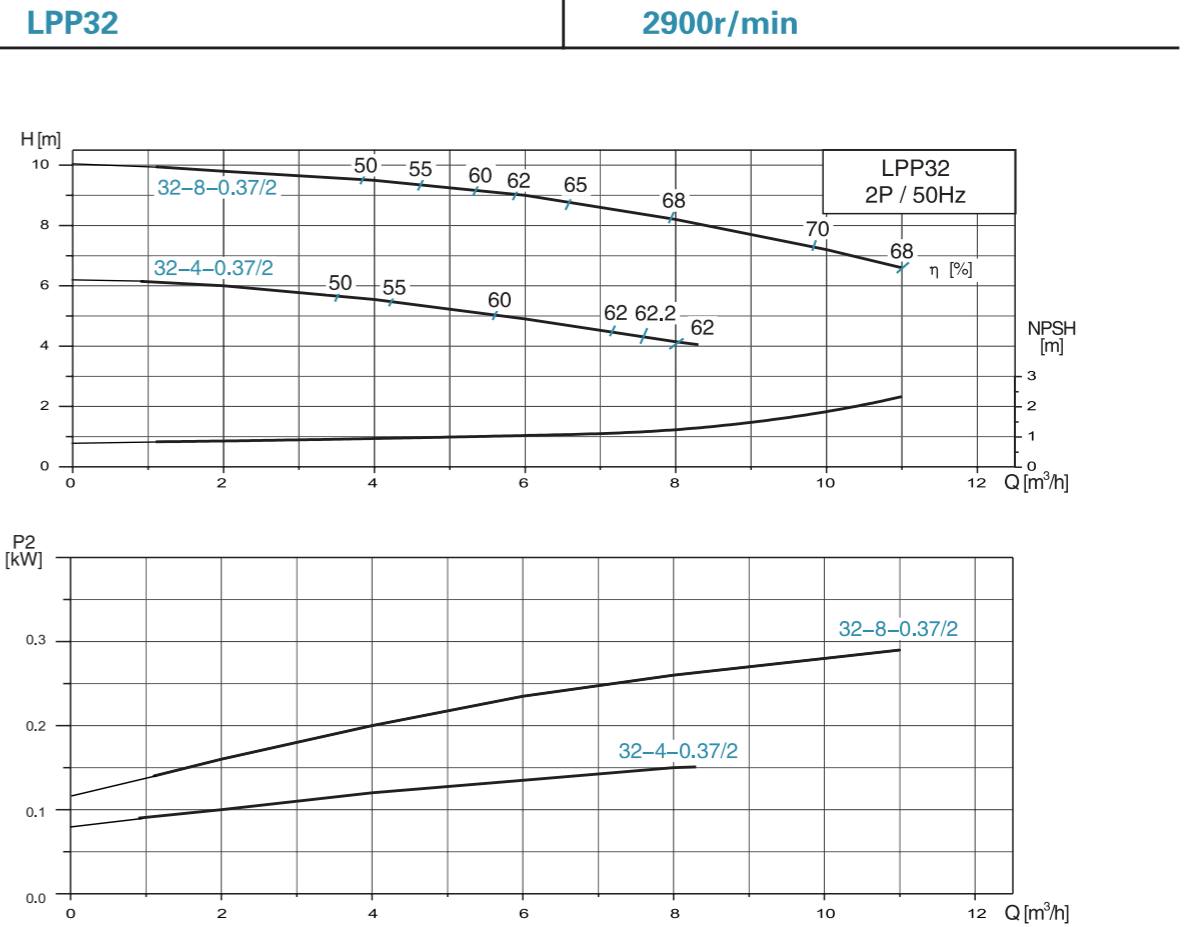
Model	Power P2 (kW)	Rated Speed n (r/min)	Rated Flow Q (m³/h)	Rated Head (m)	Max. Flow Q (m³/h)	Max. Head H(m)	NPSHc (m)
LPP32-8-0.37/2	0.37	2900	8.5	8	11	10	2
LPP32-4-0.37/2	0.37	2900	7.5	4	8.5	6	2
LPP32-31/3/2	3	2900	20	31	24	37	2
LPP32-26-2.2/2	2.2	2900	18	26	21	32	2
LPP32-21-1.5/2	1.5	2900	14	21	18.5	26	2
LPP32-16-1.1/2	1.1	2900	12	16	16	20	2
LPP40-20.5-1.5/2	1.5	2900	12	20.5	20	25	2
LPP40-17.5-1.1/2	1.1	2900	12	17.5	18	21	2
LPP40-13-0.75/2	0.75	2900	10	13	15.5	16.5	2
LPP40-31-4/2	4	2900	26	31	38	35	2
LPP40-24.5-3/2	3	2900	24	24.5	36	28	2
LPP40-20.5-2.2/2	2.2	2900	23	20.5	34	25	2
LPP50-24-3/2	3	2900	30	24	36	29	2
LPP50-21-2.2/2	2.2	2900	24	21	35	25	2
LPP50-16-1.5/2	1.5	2900	22	16	32	19	2
LPP50-12-1.1/2	1.1	2900	20	12	26	15	2
LPP50-34-5.5/2	5.5	2900	35	34	50	42	2
LPP50-28-4/2	4	2900	30	28	43	33	2
LPP65-35-7.5/2	7.5	2900	55	35	70	39	2.5
LPP65-28-5.5/2	5.5	2900	50	28	70	30	2.5
LPP65-21-4/2	4	2900	45	21	65	24	2.5
LPP65-17-3/2	3	2900	40	17	56	20	2.5
LPP65-14-2.2/2	2.2	2900	35	14	50	17	2
LPP65-56-18.5/2	18.5	2950	70	56	86	61	3
LPP65-49-15/2	15	2950	65	49	80	53	3
LPP65-40-11/2	11	2950	56	40	80	43	2.5
LPP80-20-5.5/2	5.5	2900	70	20	90	25	3.5
LPP80-17-4.0/2	4	2900	64	17	79	21	3.2
LPP80-14-3/2	3	2900	55	14	75	17	3
LPP80-10.5-2.2/2	2.2	2900	52	10.5	70	14	3
LPP80-8.5-1.5/2	1.5	2900	45	8.5	65	10.5	3
LPP80-35-15/2	15	2950	110	35	130	42	4.5
LPP80-28-11/2	11	2950	100	28	125	35	4.5
LPP80-21.5-7.5/2	7.5	2950	90	21.5	115	28	4
LPP80-80-22/2	22	2950	50	80	70	86	2.8
LPP80-70-18.5/2	18.5	2950	45	70	65	75	2.8
LPP80-60-15/2	15	2950	40	60	60	63	2.8
LPP100-32-22/2	22	2950	170	32	190	43	6.5
LPP100-30-18.5/2	18.5	2950	160	30	179	38	6.5
LPP100-24-15/2	15	2950	150	24	180	31	6
LPP100-20-11/2	11	2950	135	20	175	28	6.5
LPP100-80-37/2	37	2950	100	80	130	86	3.5
LPP100-70-30/2	30	2950	90	70	120	76	3.5

Model	Power P2 (kW)	Rated Speed n (r/min)	Rated Flow Q (m³/h)	Rated Head (m)	Max. Flow Q (m³/h)	Max. Head H(m)	NPSHc (m)
LPP100-60-22/2	22	2950	80	60	96	64	3.5
LPP100-50-22/2	22	2950	100	50	140	56	3.5
LPP100-44-18.5/2	18.5	2950	90	44	140	47	3.5
LPP100-38-15/2	15	2950	85	38	130	43	3.5
LPP125-50-30/2	30	2950	160	50	190	58	5.5
LPP125-44-30/2	30	2950	150	44	190	52	5.5
LPP125-37.5-22/2	22	2950	135	37.5	180	45	5.5
LPP80-28-11/4	11	1480	90	28	120	31	2
LPP80-22-7.5/4	7.5	1480	80	22	100	24	2
LPP80-19-5.5/4	5.5	1480	68	19	80	21.5	2
LPP100-32-22/4	22	1480	170	32	213	36	2
LPP100-30-18.5/4	18.5	1480	160	30	208	33	2
LPP100-25-15/4	15	1480	155	25	186	28	2
LPP100-21-11/4	11	1480	130	21	170	23	2
LPP100-16-7.5/4	7.5	1480	115	16	140	19	2
LPP125-35-30/4	30	1480	200	35	279	40	2.5
LPP125-31-22/4	22	1480	170	31	260	34	2
LPP125-28-18.5/4	18.5	1480	155	28	249	30	2
LPP125-24-15/4	15	1480	140	24	230	27	2
LPP125-19-11/4	11	1480	125	19	209	22	2
LPP150-33-37/4	37	1480	300	33	390	37	3.5
LPP150-29-30/4	30	1480	280	29	360	32	3.5
LPP150-24.5-22/4	22	1480	250	24.5	300	28	3
LPP150-21.5-18.5/4	18.5	1480	230	21.5	290	23	3
LPP200-34-75/4	75	1480	600	34	659	41	5.5
LPP200-28-55/4	55	1480	560	28	656	32	5.5
LPP200-22.5-45/4	45	1480	521	22.5	662	27	5.25
LPP200-55-75/4	75	1480	300	55	420	61	5.5
LPP200-44-55/4	55	1480	280	44	360	50	5.5
LPP200-38-45/4	45	1480	262	38	340	45	5.5
LPP200-32-37/4	37	1480	245	32	320	38	5.5
LPP250-50-110/4	110	1480	550	50	715	58	4.7
LPP250-44-90/4	90	1480	500	44	650	50	4.7
LPP250-37-75/4	75	1480	460	37	645	44	4.7
LPP150-33-30/4	30	1480	200	33	300	36	3.5
LPP150-25-22/4	22	1480	200	25	260	28	3.5
LPP150-25-30/4	30	1480	300	25	360	31	4.1
LPP200-36-75/4	75	1480	500	36	650	40	4.8
LPP200-18-37/4	37	1480	500	18	600	23	5.4
LPP200-15-30/4	30	1480	500	15	600	20	5.4
LPP250-50-132/4	132	1480	630	50	760	60	5.8
LPP250-40-110/4	110	1480	630	40	760	53	5.8

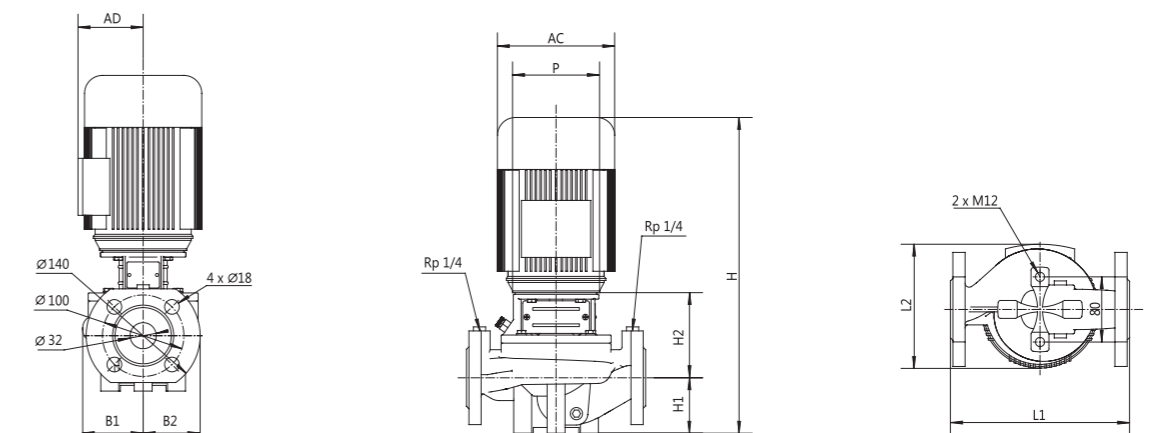
Hydraulic Performance Curves



Hydraulic Performance Curves

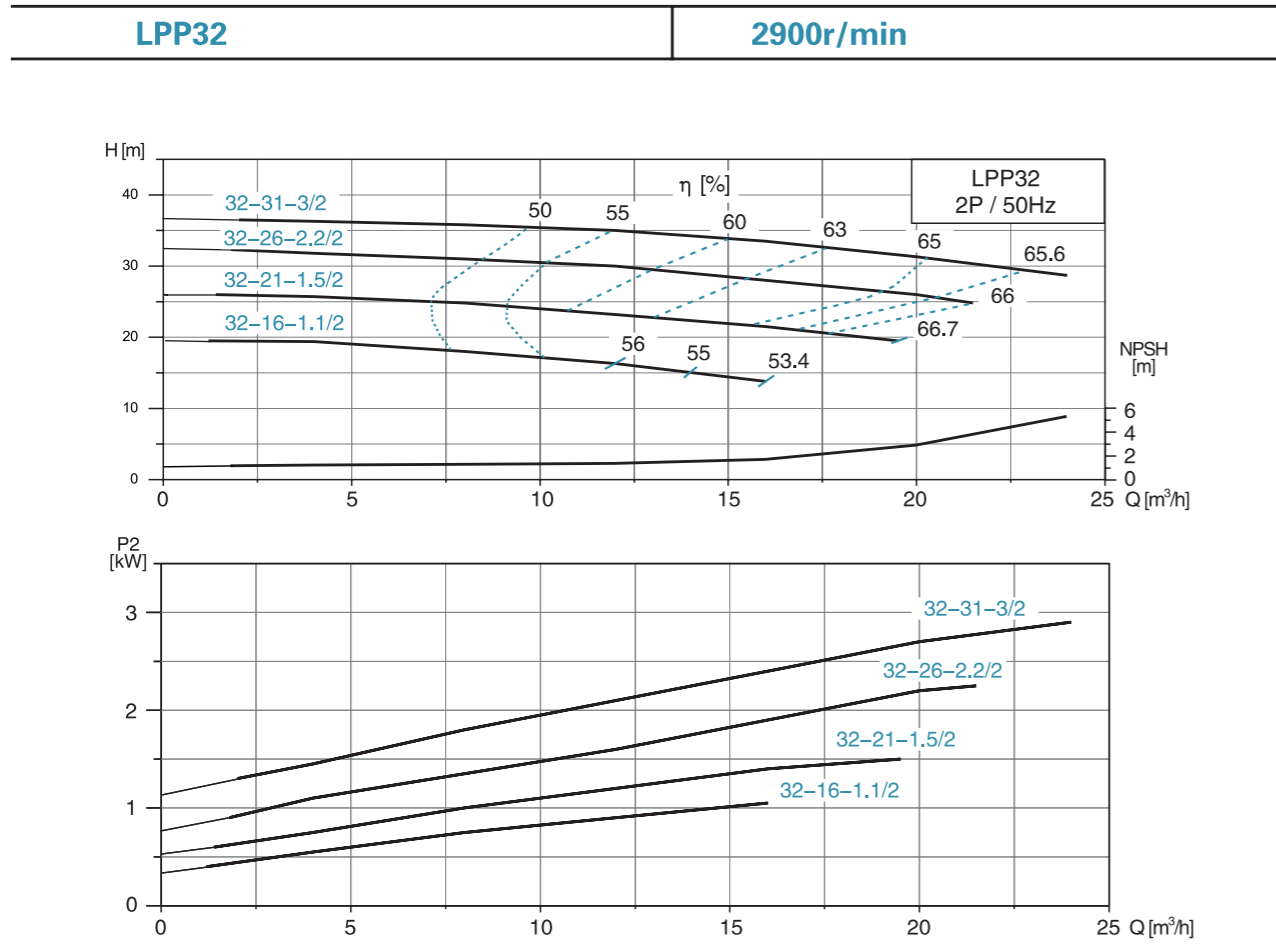


Dimension Drawing

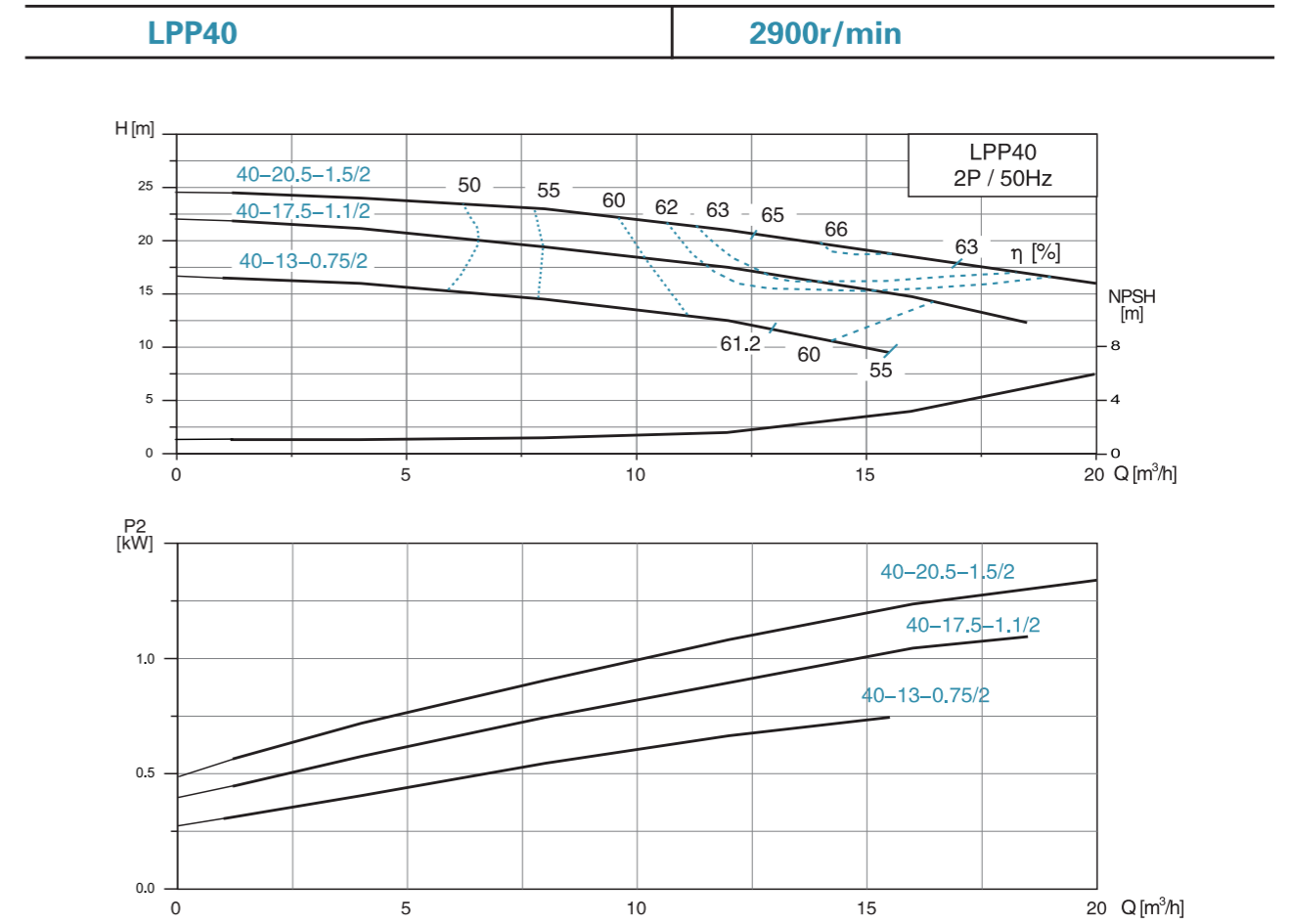


Model	L1 (mm)	L2 (mm)	H (mm)	H1 (mm)	H2 (mm)	B1 (mm)	B2 (mm)	P (mm)	AD (mm)	AC (mm)
LPP32-8-0.37/2	220	156	393	68	104.5	75	70	105	86	135
LPP32-4-0.37/2										

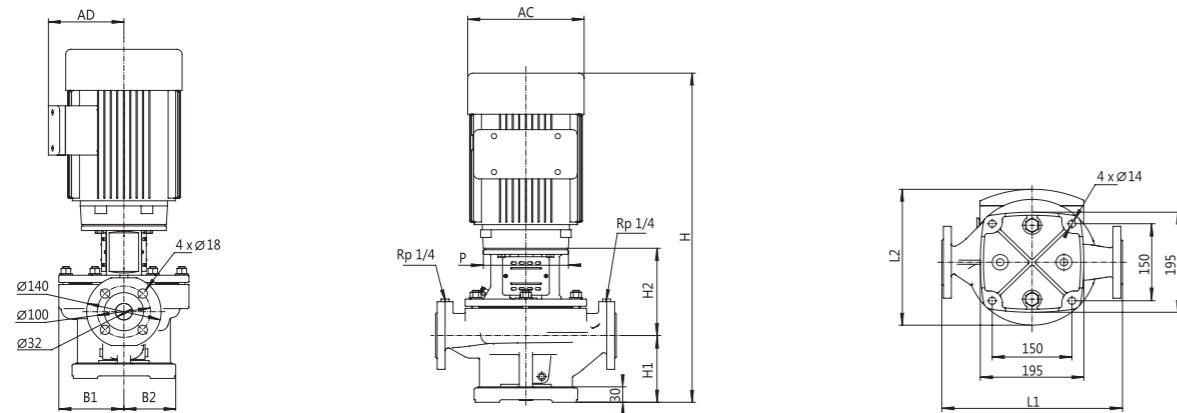
Hydraulic Performance Curves



Hydraulic Performance Curves

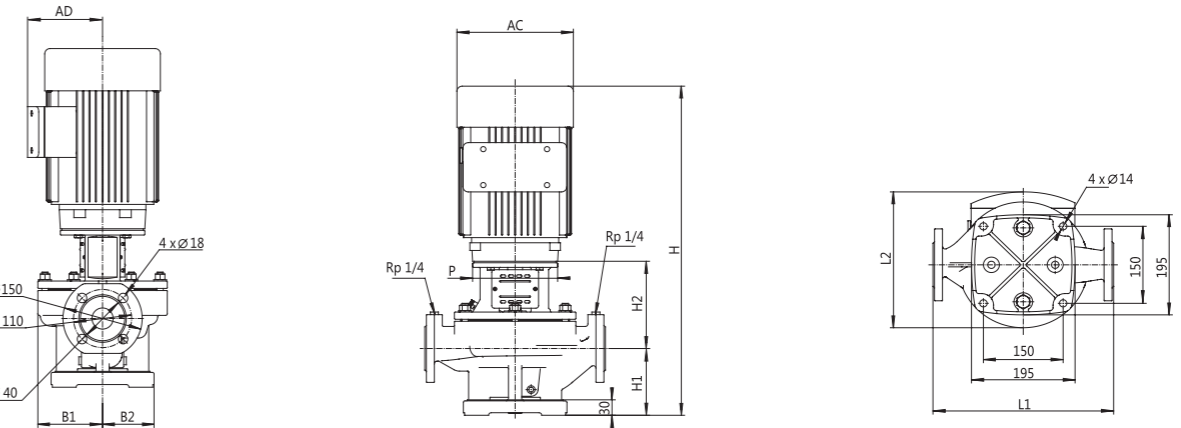


Dimension Drawing



Model	L1 (mm)	L2 (mm)	H (mm)	H1 (mm)	H2 (mm)	B1 (mm)	B2 (mm)	P (mm)	AD (mm)	AC (mm)
LPP32-31-3/2	340	251	626	130	171	123	123	160	128	191
LPP32-26-2.2/2	340	246	601	130	171	123	123	140	115	166
LPP32-21-1.5/2	340	246	601	130	171	123	123	140	115	166
LPP32-16-1.1/2	340	246	556	130	171	123	123	120	96	148

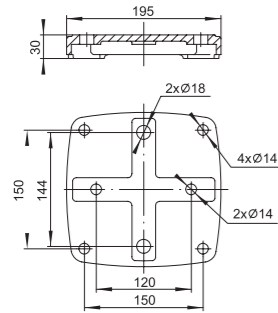
Dimension Drawing



Model	L1 (mm)	L2 (mm)	H (mm)	H1 (mm)	H2 (mm)	B1 (mm)	B2 (mm)	P (mm)	AD (mm)	AC (mm)
LPP40-20.5-1.5/2	340	246	591	130	161	123	123	140	115	166
LPP40-17.5-1.1/2	340	246	546	130	161	123	123	120	96	148
LPP40-13-0.75/2	340	246	546	130	161	123	123	120	96	148

Base Plate Installation

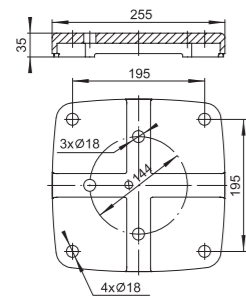
Base Plate 1



Model
LPP32-31-3/2
LPP32-26-2.2/2
LPP32-21-1.5/2
LPP32-16-1.1/2
LPP40-20.5-1.5/2
LPP40-17.5-1.1/2
LPP40-13-0.75/2
LPP40-31-4/2

Model
LPP40-24.5-3/2
LPP40-20.5-2.2/2
LPP50-24-3/2
LPP50-21-2.2/2
LPP50-16-1.5/2
LPP50-12-1.1/2
LPP50-34-5.5/2
LPP50-28-4/2

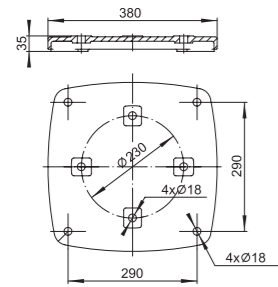
Base Plate 2



Model
LPP65-35-7.5/2
LPP65-28-5.5/2
LPP65-21-4/2
LPP65-17-3/2
LPP65-14-2.2/2
LPP65-56-18.5/2
LPP65-49-15/2
LPP65-40-11/2

Model
LPP80-20-5.5/2
LPP80-17-4/2
LPP80-14-3/2
LPP80-10.5-2.2/2
LPP80-8.5-1.5/2
LPP80-35-15/2
LPP80-28-11/2
LPP80-21.5-7.5/2

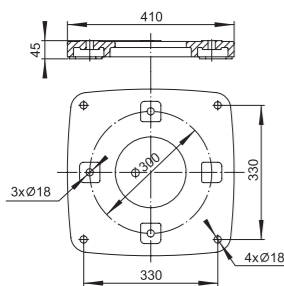
Base Plate 3



Model
LPP80-80-22/2
LPP80-70-18.5/2
LPP80-60-15/2
LPP80-28-11/4
LPP80-22-7.5/4
LPP80-19-5.5/4
LPP100-80-37/2
LPP100-70-30/2
LPP100-60-22/2
LPP100-50-22/2
LPP100-44-18.5/2
LPP100-38-15/2
LPP100-16-7.5/4
LPP100-32-22/2
LPP100-30-18.5/2
LPP100-24-15/2
LPP100-20-11/2

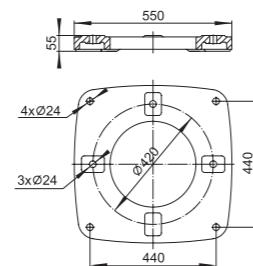
Model
LPP100-32-22/4
LPP100-30-18.5/4
LPP100-25-15/4
LPP100-21-11/4
LPP125-50-30/2
LPP125-44-30/2
LPP125-37.5-22/2
LPP125-35-30/4
LPP125-31-22/4
LPP125-28-18.5/4
LPP125-24-15/4
LPP125-19-11/4
LPP150-33-37/4
LPP150-29-30/4
LPP150-24.5-22/4
LPP150-21.5-18.5/4
LPP150-33-30/4
LPP150-25-22/4
LPP150-25-30/4

Base Plate 4



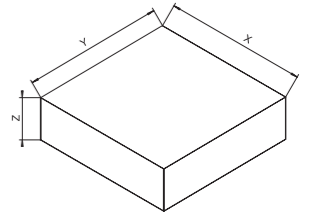
Model
LPP200-34-75/4
LPP200-28-55/4
LPP200-22.5-45/4
LPP200-55-75/2
LPP200-44-55/4
LPP200-38-45/4
LPP200-32-37/4
LPP200-36-75/4
LPP200-18-37/4
LPP200-15-30/4

Base Plate 5



Model
LPP250-50-110/4
LPP250-44-90/4
LPP250-37-75/4
LPP250-50-132/4
LPP250-40-110/4

Pedestal Installation



Model	Weight (kg)	X (mm)	Y (mm)	Z (mm)
LPP65-56-18.5/2	186	260	260	310
LPP65-49-15/2	180	260	260	310
LPP65-40-11/2	176	260	260	310
LPP80-35-15/2	187	260	260	310
LPP80-28-11/2	173	260	260	310
LPP80-21.5-7.5/2	128	260	260	310
LPP80-28-11/4	238	670	670	330
LPP80-22-7.5/4	181	260	260	310
LPP80-19-5.5/4	168	260	260	310
LPP80-80-22/2	265	710	710	360
LPP80-70-18.5/2	220	670	670	330
LPP80-60-15/2	178	260	260	310
LPP100-50-22/2	267	710	710	310
LPP100-44-18.5/2	222	670	670	330
LPP100-38-15/2	180	260	260	310
LPP100-80-37/2	341	750	750	375
LPP100-70-30/2	330	750	750	375
LPP100-60-22/2	276	710	710	360
LPP100-32-22/2	330	750	750	375
LPP100-30-18.5/2	293	710	710	360
LPP100-24-15/2	270	710	710	360
LPP100-20-11/2	256	670	670	330
LPP100-32-22/4	345	750	750	375
LPP100-30-18.5/4	327	750	750	375
LPP100-25-15/4	286	710	710	360
LPP100-21-11/4	261	670	670	330
LPP100-16-7.5/4	222	670	670	330
LPP125-35-30/4	415	780	780	390
LPP125-31-22/4	352	750	750	375
LPP125-28-18.5/4	335	750	750	375
LPP125-24-15/4	305	710	710	360
LPP125-19-11/4	286	710	710	360
LPP125-50-30/2	347	750	750	375
LPP125-44-30/2	346	750	750	375
LPP125-37.5-22/2	290	710	710	360
LPP150-33-37/4	503	840	840	420
LPP150-29-30/4	475	840	840	420
LPP150-24.5-22/4	410	780	780	390
LPP150-21.5-18.5/4	390	780	780	390
LPP200-34-75/4	860	1010	1010	500
LPP200-28-55/4	700	940	940	470
LPP200-22.5-45/4	570	900	900	450
LPP200-55-75/4	957	1010	1010	500
LPP200-44-55/4	762	940	940	470
LPP200-38-45/4	654	940	940	470
LPP200-32-37/4	633	940	940	470
LPP250-50-110/4	1512	1200	1200	560
LPP250-44-90/4	1134	1100	1100	530
LPP250-37-75/4	1092	1100	1100	530
LPP150-33-30/4	458	840	840	420
LPP150-25-22/4	376	780	780	390
LPP150-25-30/4	456	840	840	420
LPP200-36-75/4	894	1010	1010	500
LPP200-18-37/4	569	900	900	450
LPP200-15-30/4	536	900	900	450
LPP250-50-132/4	1608	1200	1200	560
LPP250-40-110/4	1512	1200	1200	560